



SNOWFLOW

EXACT PATH 1.5, 2.5, & 6.0 DROP SPREADER PARTS EXPLOSION 2020 +



SPREADER COMPONENTS

1	Drum Weldment (Exact Path 1.5)	DPS22740
2	Drum Weldment (Exact Path 2.5 & 6.0)	DPS21260
3	Motor Cover	DPS21337
4	Bearing Cover	DPS21338
5	Frame Weldment (Exact Path 1.5)	DPS22760
6	Frame Weldment (Exact Path 2.5 & 6.0)	DPS21360
7	Clamp Plate (Exact Path 1.5)	DPS22775
8	Clamp Plate (Exact Path 2.5 & 6.0)	DPS21387
9	Handle Weldment (Exact Path 1.5)	DPS22790
10	Handle Weldment (Exact Path 2.5 & 6.0)	DPS21390
11	Hopper Assembly (Exact Path 1.5)	DPS22880
12	Hopper Assembly (Exact Path 2.5)	DPS21325
13	Hopper Assembly (Exact Path 6.0)	DPS21360
14	Gate Carriage (Exact Path 1.5)	DPS21418
15	Gate Carriage (Exact Path 2.5 & 6.0)	DPS21418
16	Top Screen with Hardware (Exact Path 1.5)	DPS22739
17	Includes: (1) Top Screen	DPS22770
18	(6) Hex Head Cap Screw, 3/8"-16 X 3/4", ST/ST 18-8	
19	Top Screen with Hardware (Exact Path 2.5)	DPS21475
20	Includes: (1) Top Screen	DPS21372
21	(8) Hex Head Cap Screw, 3/8"-16 X 3/4", ST/ST 18-8	
22	Top Screen with Hardware (Exact Path 6.0)	DPS21476
23	Includes: (1) Top Screen	DPS23168
24	(8) Hex Head Cap Screw, 3/8"-16 X 3/4", ST/ST 18-8	
25	Hopper Cover Assembly (Exact Path 1.5)	DPS22735
26	Includes: (1) Hopper Cover (Exact Path 1.5)	
27	(2) Upper Latch	
28	(4) Screw, 8-13 X 15.9 MM, Phillips Head, Self Tapping	
29	(4) Flat Washer, #10 ST/ST 18-8	
30	Hopper Cover Assembly (Exact Path 2.5)	DPS21478
31	Includes: (1) Hopper Cover (Exact Path 2.5)	
32	(2) Upper Latch	
33	(4) Screw, 8-13 X 15.9 MM, Phillips Head, Self Tapping	
34	(4) Flat Washer, #10 ST/ST 18-8	
35	Hopper Cover Assembly (Exact Path 6.0)	DPS21479
36	Includes: (1) Hopper Cover (Exact Path 6.0)	
37	(2) Upper Latch	
38	(4) Flat Washer, #10 ST/ST 18-8	
39	(4) Screw, 8-13 X 15.9 MM, Phillips Head, Self Tapping	
40	(2) Upper Latch	
41	Drum Shields with Hardware	DPS23201
42	Includes: (2) Drum Shield	DPS21419
43	(2) Hex Nut, 1/4"-20, Nylon Lock, ST/ST 18-8	
44	(4) Hex Head Cap Screw, 1/4"-20 X 3/4", ST/ST 18-8	
45	(4) Flat Washer, 1/4" ST/ST 18-8	
46	Gate Adjust Bracket with Hardware	DPS23202
47	Includes: (1) Gate Adjust Bracket	DPS21386
48	(2) Hex Nut, 1/4"-20, Nylon Lock, ST/ST 18-8	
49	(2) Hex Head Cap Screw, 1/4"-20 X 3/4", ST/ST 18-8	
50	(2) Flat Washer, 1/4" ST/ST 18-8	
51	Baffle with Hardware (Exact Path 1.5)	DPS22737
52	Includes: (1) Poly Baffle (Exact Path 1.5)	DPS22776
53	(5) Hex Nut, 5/16"-18, Nylon Lock, ST/ST 18-8	
54	(5) Carriage Bolt, 5/16"-18 X 3/4", ST/ST 18-8	
55	Baffle with Hardware (Exact Path 2.5 & 6.0)	DPS23203
56	Includes: (1) Poly Baffle (Exact Path 2.5 & 6.0)	DPS21375
57	(6) Hex Nut, 5/16"-18, Nylon Lock, ST/ST 18-8	
58	(6) Carriage Bolt, 5/16"-18 X 3/4", ST/ST 18-8	
59	Motor Mount with Hardware	DPS23204
60	Includes: (1) Motor Mount Plate	DPS21336
61	(7) Hex Head Cap Screw, 3/8"-16 X 3/4", ST/ST 18-8	
62	Bed Stops with Hardware	DPS23207
63	Includes: (1) Bed Stop, Right	DPS21461
64	(1) Bed Stop, Left	DPS21463
65	(4) Hex Nut, 5/16"-18, Nylon Lock, ST/ST 18-8	
66	(4) Carriage Bolt, 5/16"-18 X 3/4", ST/ST 18-8	
67	Lift Handles with Hardware (Exact Path 6.0)	DPS23208
68	Includes: (2) Lift Handle (Exact Path 6.0)	DPS21346
69	(4) Hex Nut, 5/16"-18, Nylon Lock, ST/ST 18-8	
70	(4) Carriage Bolt, 5/16"-18 X 3/4", ST/ST 18-8	
71	Stud Block	HYD13174
72	Grommet	MSC14544
73	Main Decal (Exact Path)	MSC22751
74	Main Decal (BOSS)	MSC22752
75	Warning Decal	MSC21302
76	Gearmotor	VBS15199
77	Bed Shield (Exact Path 1.5)	DPS22744
78	Bed Shield (Exact Path 2.5 & 6.0)	DPS23211

HARDWARE

24	Push Clips, 10 Pack	HDW23205
24A	Includes: (10) Push Clip, 8MM X 26MM Stem, 20MM Flange	HDW09299
25	Carriage Bolts, 10 Pack	HDW23206
25A	Includes: (10) Carriage Bolt, 5/16"-18 X 3/4", ST/ST 18-8	HDW21315
26	Feed Gate Hardware	HDW23210
	Includes: (1) Hex Nut, 3/8"-16, Nylon Lock, ST/ST 18-8	
	(1) Flat Washer, 3/8" ST/ST 18-8	
	(1) Split Lock Washer, 3/8" Nom, ST/ST 18-8	
	(1) Hex Head Cap Screw, 3/8"-16 X 3/4", ST/ST 18-8	
	(1) Shoulder Screw, 1/2" X 1.25" Shoulder, 3/8"-16 X 5/8", SS	
27	Hex Head Cap Screw, 1/2" - 13 X 1-1/2", GR5, YZN	HDW01728
28	Hex Nut, 1/2"-13, Nylon Lock, GR5, YZN	HDW01748
29	Hex Head Cap Screw, 1/2" - 13 X 4-1/2", GR5, YZN	HDW01778
30	Hex Head Cap Screw, 3/8" - 16 X 1", ST/ST 18-8	HDW05853
31	Hex Nut, 3/8"-16, Nylon Lock, ST/ST 18-8	HDW05854
32	Hex Nut, #10-32, Nylon Lock, ST/ST 18-8	HDW05856
33	Flat Washer, 3/8" ST/ST 18-8	HDW05859
34	Hex Nut, 1/4"-20, Nylon Lock, ST/ST 18-8	HDW05851
35	Flat Washer, #10 ST/ST 18-8	HDW05873
36	Hex Head Cap Screw, 1/4"-20 X 3/4", ST/ST 18-8	HDW05875
37	Screw, 8-13 X 15.9 MM, Phillips Head, Self Tapping	HDW05942
38	Flat Washer, 1/4" ST/ST 18-8	HDW06299
39	Fender Washer, 1/2" X 2" OD X 1/8", YZN	HDW10982
40	Pan Head Screw, #10-32 X 3/4", ST/ST 18-8	HDW14438
41	Split Lock Washer, 3/8" Nom, ST/ST 18-8	HDW14439
42	Hex Head Cap Screw, 5/16"-18 X 1", ST/ST 18-8	HDW14534
43	Flat Washer, 5/16" ST/ST 18-8	HDW14535
44	Hex Nut, 5/16"-18, Nylon Lock, ST/ST 18-8	HDW14537
45	Hex Head Cap Screw, 3/8"-16 X 3/4", ST/ST 18-8	HDW19387
46	Shoulder Screw, 1/2" X 1.25" Shoulder, 3/8"-16 X 5/8", SS	HDW21275
47	Key, 20 X 6 X 6 MM	MSC15992
48	Shoulder Bearing, 0.75" ID, 0.875" OD	MSC23072
49	Shoulder Bearing, 0.5" ID, 0.594" OD	MSC23073
50	2-Bolt Flange Bearing, Composite .75"	MSC23074

SPREADER ATTACHMENT COMPONENTS

51	Support Plate	DSP21473
52	Top Link Mount	DPS21483
53	Groundmaster Mounting Hardware	HDW04996
	Includes: (2) Nut, Nylon Locking, 1/2" - 13, YZN	
	(2) Hex Head Cap Screw, 1/2" - 13 X 4-1/2", GR5, YZN	
	(2) Heat Shrink Butt Connectors, 10-12GA	
54	Bed Mount Hardware	HDW21466
	Includes: (4) Nut, Nylon Locking, 1/2" - 13, YZN	
	(4) Hex Head Cap Screw, 1/2" - 13 X 1-1/2", GR5, YZN	
	(4) Fender Washer, 1/2" X 2" OD X 1/8", YZN	
55	Slide-in Mounting Hardware	HDW21471
	Includes: (4) Nut, Nylon Locking, 1/2" - 13, YZN	
	(4) Hex Head Cap Screw, 1/2" - 13 X 1-1/2", GR5, YZN	
	(4) Nut, Nylon Locking, 3/8" - 16, ST/ST 18-8	
	(4) Hex Head Cap Screw, 3/8" - 16 X 1-1/2", ST/ST 18-8	
56	Top Link Bracket Mounting Hardware	HDW21484
	Includes: (4) Nylon Locking, 3/8" - 16, ST/ST 18-8	
	(4) Hex Head Cap Screw, 3/8" - 16 X 1", ST/ST 18-8	
57	3-Point Pin Kit	HDW21485
57A	Includes: (1) Clevis Pin, 3/4" X 3-1/2", YZN	HDW13498
57B	(2) Clevis Pin, 7/8" X 3", YZN	HDW21482
57C	(3) Hairpin Cotter, 5/8"-7/8" PIN, ZN	HDW21467
58	Mounting Tube, 2" Receiver, Groundmaster	TGS04992-03
59	Hitch Pin with Cotter Hairpin	TGS06259
59A	Includes: (1) Hitch Pin, 5/8"	
	(1) Cotter Hairpin, #16	
60	Slide-in Attachment Hitch	TGS10930-03
61	Ratchet Strap	TGS10986
62	Adjustable Slide-in Attachment Hitch	DPS22721
63	Snowrator mount kit	SNR22880
63A	Includes: (1) Chute	DPS22865
63B	(1) Hardware kit	HDW22881
63C	(1) Mount bracket	DPS22793

ELECTRICAL-IN CAB USE

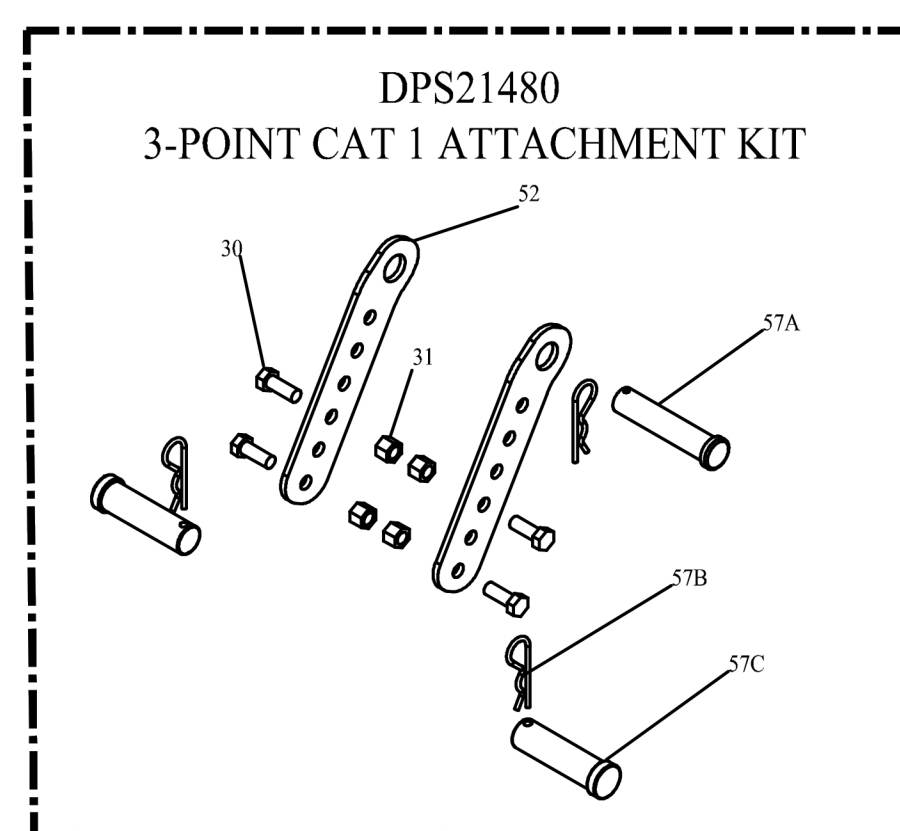
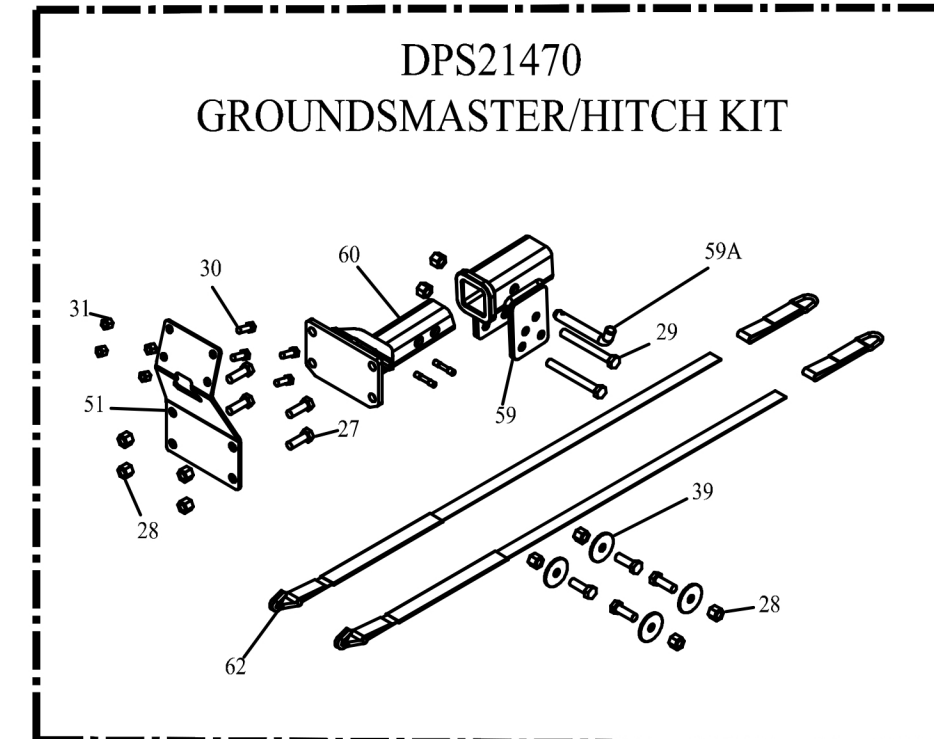
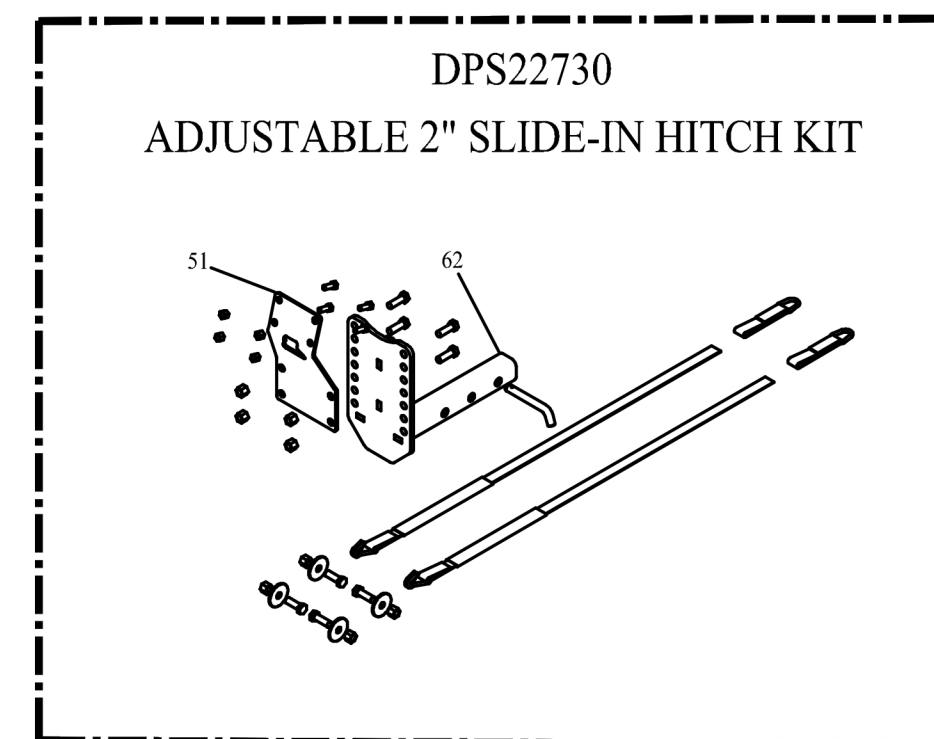
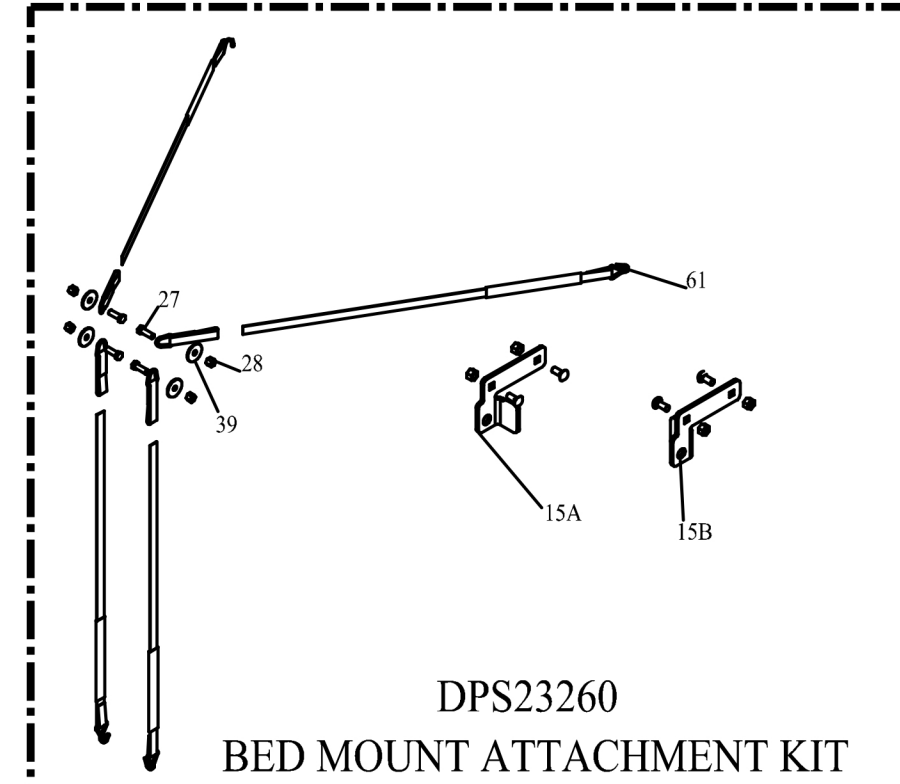
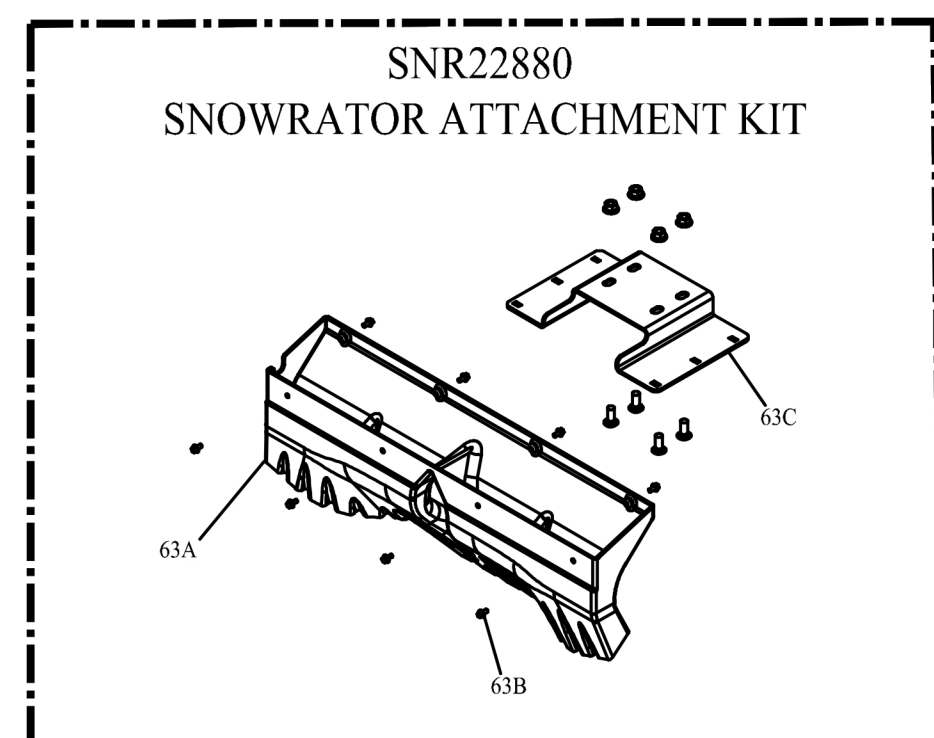
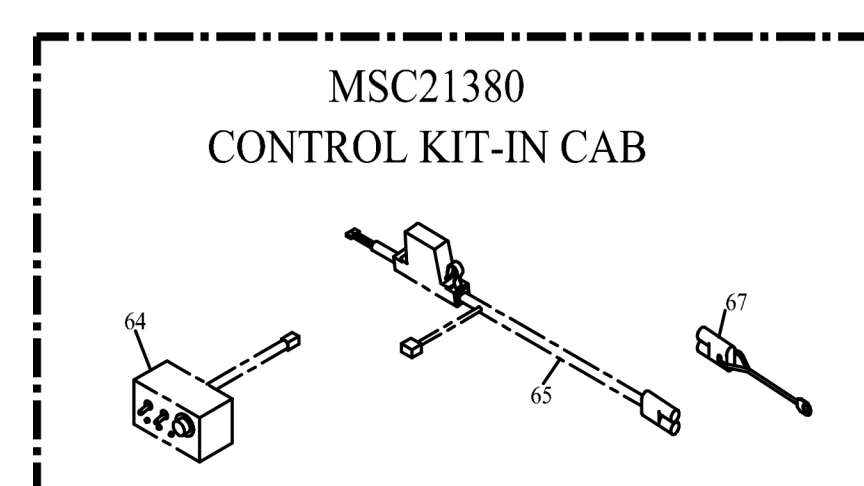
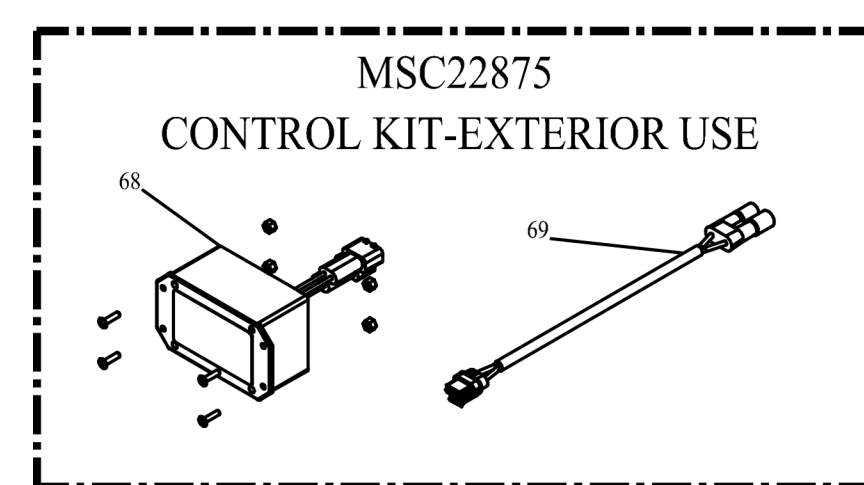
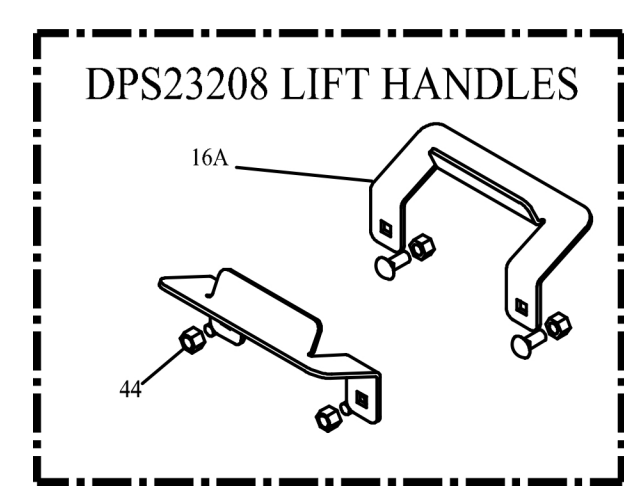
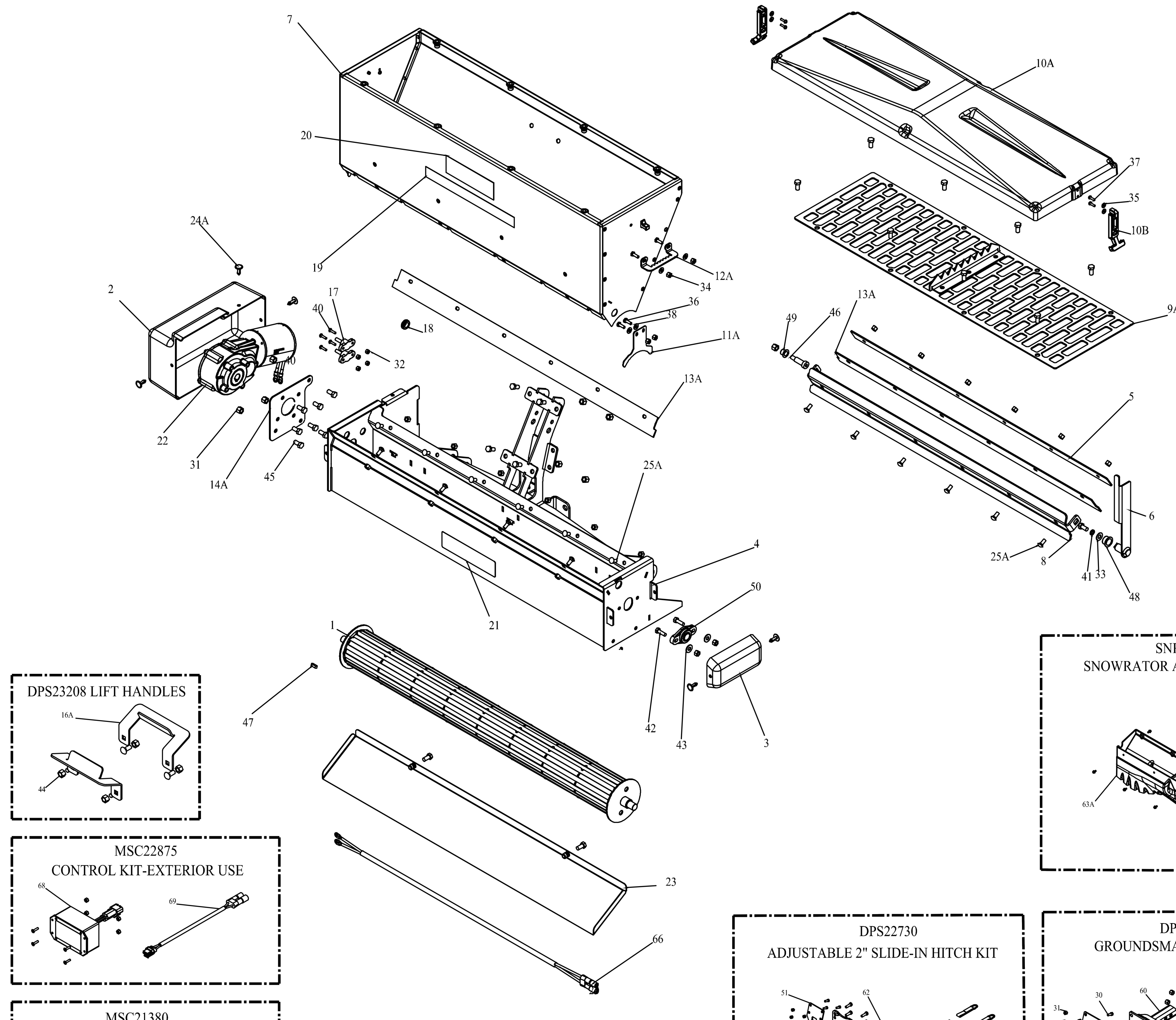
64	Controller with Blast	MSC21381
65	Power/Ground (Vehicle Side)	MSC21376
66	Power/Ground (Spreader Side)	MSC21379
67	Weather Plug for Power/Ground (Slide-In & RT3 Attachment)	MSC03721

ELECTRICAL-EXTERIOR USE

68	Controller with Blast	MSC22879
69	Harness, controller to spreader pwr/ground	MSC22876

ACCESSORIES

Vibrator Kit	TGS05960
Vibrator, 12VDC, 80LB	MSC14279
Harness, Vehicle Side, Front, Vibrator	TGS05970
Harness, Vehicle Side, Rear, Vibrator	TGS05971



BOSS Products reserves the right under its continuous product improvement policy to change construction and furnish equipment when so altered without reference to illustrations or specifications used herein.

Patent: www.ttcopats.com