



# J•DRAIN<sup>®</sup>

Prefabricated Drainage Composites

## APPLICATIONS

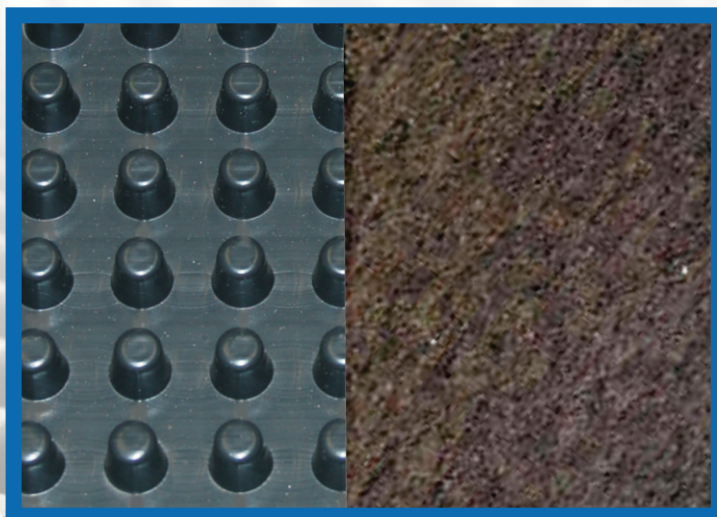
**FOUNDATION WALLS**

**RETAINING WALLS**

**PLANTERS**

**UNDER SLABS**

**BRIDGE ABUTMENTS**



## J•DRAIN<sup>®</sup> 400 Series

**J-DRAIN<sup>®</sup> 400 Series** performs a multi-faceted role by providing protection for waterproofing systems and managing sub-surface water around building foundations. Soil back fill is retained by a filter fabric while allowing water to pass into the drainage core providing hydrostatic relief. Collected water is then conveyed to a proper collection system.

Consists of a impermeable polypropylene sheet cusped under heat and pressure to form a high flow dimpled drainage core. The core is then bonded to a layer of nonwoven filter fabric. The filter fabric retains soil or sand particles as well as freshly placed concrete or grout, allowing filtered water to pass into the drainage core.

### J•DRAIN<sup>®</sup> 400 / 420\*

Maintains a very high flow rate while providing a higher compressive strength for greater depths. A very popular choice for vertical and horizontal single sided drainage applications. Moderate duty.

### J•DRAIN<sup>®</sup> 400 XL/ 420 XL\*

Designed for extra heavy duty vertical and horizontal applications that demand greater compressive strength and improved filtration for challenging soil conditions. Heavier duty drain core & fabric.

\*420 & 420 XL are identical to 400 & 400 XL with the addition of a membrane protective film on the back side.

[info@j-drain.com](mailto:info@j-drain.com)

[www.j-drain.com](http://www.j-drain.com)

**JDR** Enterprises, Inc.

292 S. Main St., Suite 200 Alpharetta, GA 30009  
(800) 843-7569 (770) 442-1461 Fax: (770) 664-7951

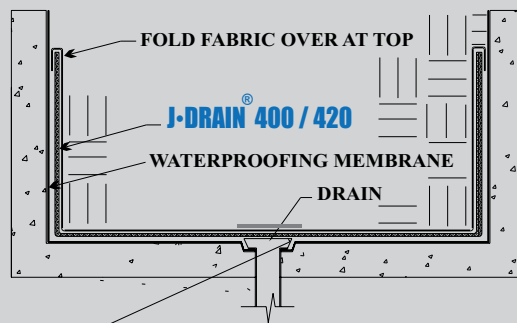


# J·DRAIN®

Prefabricated Drainage Composites

**APPLICATIONS:**

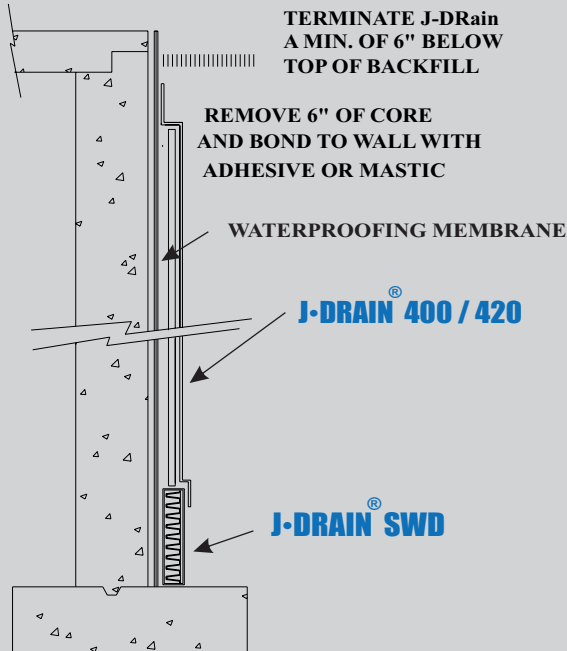
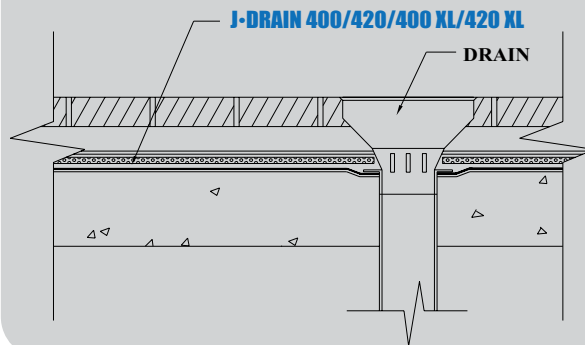
**PLANTERS & ROOF GARDENS**



**NOTE:** When using **J-DRAIN 400 / 420** cut and remove drainage core and cover with an aluminum plate as shown.

**APPLICATIONS:**

**PLAZA DECKS**



**APPLICATIONS:**

**FOUNDATION WALL / RETAINING WALL**

## Physical Properties

*Core*

*Fabric*

	<b>400/420</b>	<b>400XL/420XL</b>				
Compressive Strength (ASTM D-1621)	15,000 psf (718 kNm <sup>2</sup> )	16,500 psf (790 kNm <sup>2</sup> )				
Thickness (ASTM D-1777)	.40 in. (10.16 mm)	.40 in. (10.16 mm)				
Flow (Hydraulic gradient =1) (ASTM D-4716)	21 g/min/ft (260 L/min/m)	21 g/min/ft (260 L/min/m)				
<b>Roll Length</b>	<b>Roll Width</b>				<b>Roll Weight</b> (approx. lbs.)	
		<b>400</b>	<b>420</b>	<b>400XL</b>	<b>420XL</b>	
50 ft (15.24 m)	4 ft (1.22 m)	39	40.5	45	46.5	
	6.5 ft (1.98 m)	63	65.5	73	75.5	
	8 ft (2.44 m)	78	80	90	93	

	<b>400/420</b>	<b>400XL/420XL</b>
Flow (ASTM D-4491)	140 gal/min/ft <sup>2</sup> (5704 L/min/m <sup>2</sup> )	110 gal/min/ft <sup>2</sup> (4481 L/min/m <sup>2</sup> )
CBR Puncture (ASTM D-6241)	250 lbs. (1.113 kN)	410 lbs. (1.825 kN)
AOS (EOS)	70 U.S. Sieve (.212 mm)	70 U.S. Sieve (.212 mm)
Grab Tensile (ASTM D-4632)	100 lbs. (.45 kN)	160 lbs. (.712 kN)

The information contained herein is believed by JDR Enterprises, Inc. to be accurate and is offered solely for the customer's consideration, investigation and verification. Determination of suitability for use is the responsibility of the user. JDR's Limitations, Limited Warranty, & Disclaimer along with Standard Terms & Conditions apply. See www.j-drain.com for more info. Limitations: J-DRain is resistant to chemicals in normal soil environments. However, some reagents may affect the performance of J-DRain. A JDR representative should be contacted for further information to determine the suitability of use of J-DRain in unusual soil environments. J-DRain should be limited to its exposure to ultra-violet sunlight. J-DRain should be backfilled or covered within seven days of installation. Disclaimer: All information, drawings and specifications are based on the latest published information at the time of printing. JDR reserves the right to make changes due to manufacturing improvements and engineering at any time. All physical properties are minimum average roll values (MARV). Standard variations of 10% in mechanical properties and 15% in hydraulic properties are normal.

info@j-drain.com

www.j-drain.com

**JDR** Enterprises, Inc.

292 S. Main St., Suite 200 Alpharetta, GA 30009  
 (800) 843-7569 (770) 442-1461 Fax: (770) 664-7951