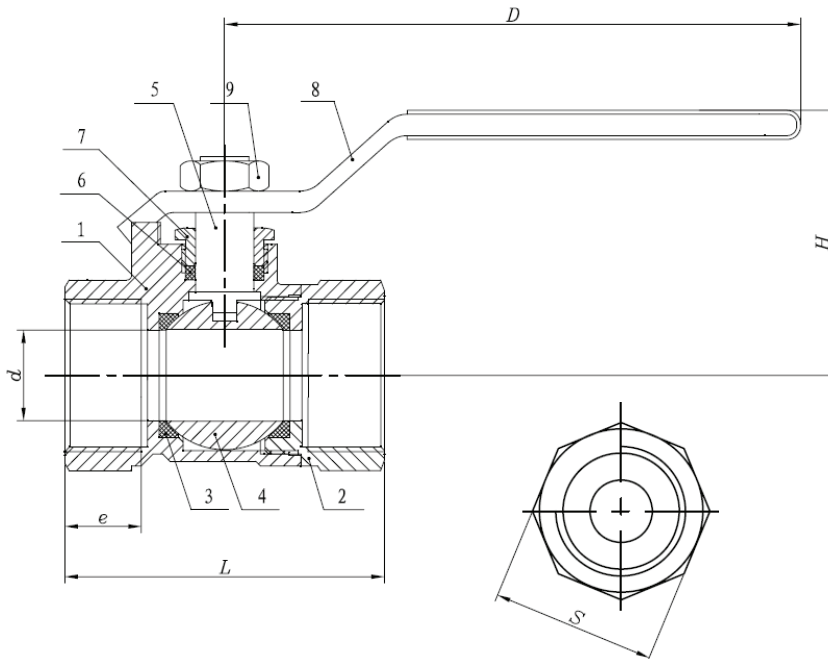


FEATURES/BENEFITS

- ISO-9002
- 3/4" to 2" 600 WOG - 150 SWP
- Standard Port
- Forged Brass Body
- Blow-Out-Proof Stem
- PTFE Seats
- Threaded Ends Comply w/ANSI B2.1
- Conforms to Specifications of MSS-SP-110
- Sizes 3/4" to 2"



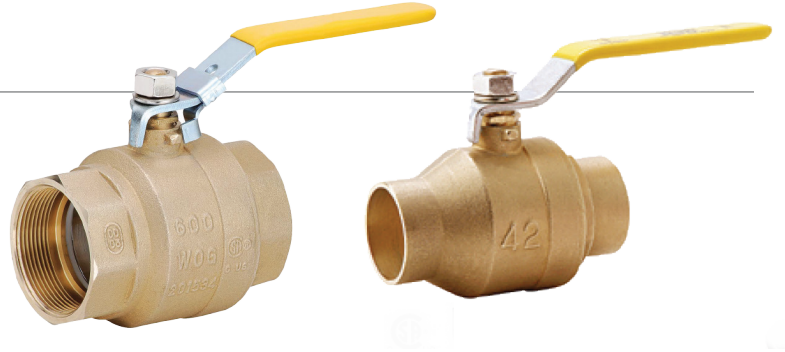
PRO-TRADE SKU	DESCRIPTION	CONNECTION TYPE	SIZE	D	H	L	S	ØD	E
PT-BBV075-SP	Pro-Trade 3/4 in. Brass Ball Valve Standard Port	IPS	3/4"	3.31	1.65	2.21	1.20	0.58	0.53
PT-BBV100-SP	Pro-Trade 1 in. Brass Ball Valve Standard Port	IPS	1"	4.71	2.05	2.64	1.50	0.75	0.63
PT-BBV125-SP	Pro-Trade 1-1/4 in. Brass Ball Valve Standard Port	IPS	1-1/4"	4.71	2.29	3.03	1.81	0.95	0.69
PT-BBV150-SP	Pro-Trade 1-1/2 in. Brass Ball Valve Standard Port	IPS	1-1/2"	5.42	2.72	3.43	2.09	1.26	0.71
PT-BBV200-SP	Pro-Trade 2 in. Brass Ball Valve Standard Port	IPS	2"	5.42	2.88	3.82	2.61	1.50	0.75



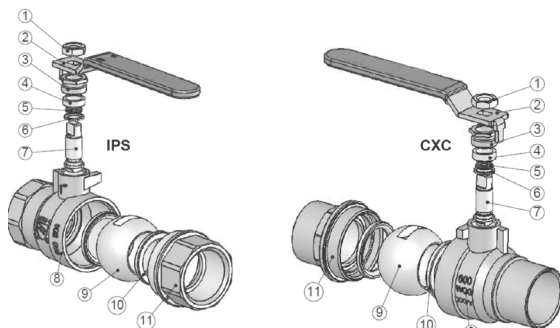
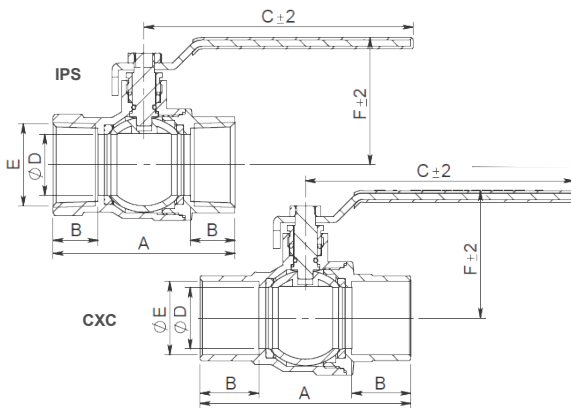
No.	Part	Material
1	Body	Brass
2	Bonnet	Brass
3	Seat Seal	PTFE
4	Ball	Brass
5	Stem	Brass
6	Stem Packing	PTFE
7	Gland Nut	Brass
8	Handle	Steel
9	Lock Nut	Steel

FEATURES/BENEFITS

- Full Port
- Forged Brass
- Two- Piece Body
- Blow-Out-Proof Stem
- Chrome-Plated Solid Brass Ball
- Thread Ends Comply per ANSI B1.20.1
- Conforms to MSS-SP-110
- 1/2" - 1-1/2" Rated: 600 PSI Non-Shock CWP - 150 PSI SWP
- CSA Gas Approved (IPS Only)



PRO-TRADE SKU	DESCRIPTION	CONNECTION TYPE	SIZE	A	B	C	D	E	F
PT-BBV050-FP	Pro-Trade 1/2 in. Brass Ball Valve Full Port	IPS	1/2"	2.05	0.55	3.07	Ø0.51	14NPT	1.54
PT-BBV075-FP	Pro-Trade 3/4 in. Brass Ball Valve Full Port	IPS	3/4"	2.30	0.57	4.14	Ø0.71	14NPT	1.78
PT-BBV100-FP	Pro-Trade 1 in. Brass Ball Valve Full Port	IPS	1"	2.80	0.69	4.14	Ø0.95	11.5NPT	1.96
PT-BBV125-FP	Pro-Trade 1-1/4 in. Brass Ball Valve Full Port	IPS	1-1/4"	3.15	0.69	4.93	Ø1.20	11.5NPT	2.49
PT-BBV150-FP	Pro-Trade 1-1/2 in. Brass Ball Valve Full Port	IPS	1-1/2"	3.51	0.71	4.93	Ø1.46	11.5NPT	2.67
PT-BBV075-FP-S	Pro-Trade 3/4 in. Brass Ball Valve Full Port Sweat	CXC	3/4"	2.71	0.75	4.14	Ø0.71	Ø0.88	1.78
PT-BBV100-FP-S	Pro-Trade 1 in. Brass Ball Valve Full Port Sweat	CXC	1"	3.25	0.91	4.14	Ø0.95	Ø1.13	1.96



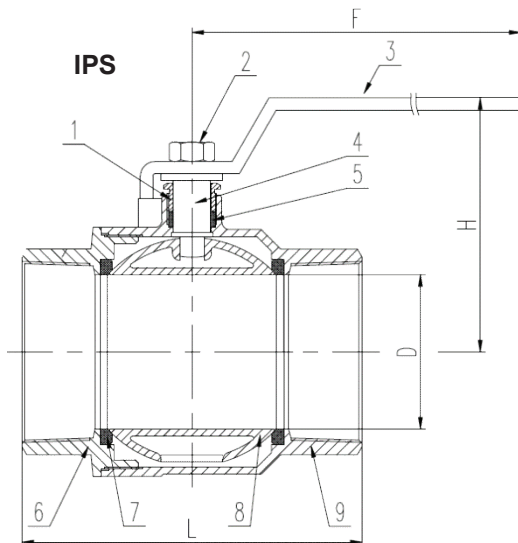
No.	Part	Material
1	Hex Nut	Steel
2	Handle	Steel
3	Packing Nut	Brass
4	Packing Gland	PTFE
5	O-Ring	EPDM
6	Washer	PTFE
7	Stem	Brass C36000
8	Bonnet	Brass C37700
9	Ball	Brass
10	Seat	PTFE
11	Body	Brass C37700

FEATURES/BENEFITS

- Full Port
- Forged Brass
- Two-Piece Body
- Blow-Out-Proof Stem
- Chrome-Plated Solid Brass Ball
- Thread Ends Comply per ANSI B1.20.1
- Conforms to MSS-SP-110
- 2" - 3" Rated: 600 PSI Non-Shock



PRO-TRADE SKU	DESCRIPTION	CONNECTION TYPE	SIZE	L	D	H	F
PT-BBV200-FP	Pro-Trade 2 in. Brass Ball Valve Full Port	IPS	2"	4.41	Ø1.97	3.27	5.52
PT-BBV250-FP	Pro-Trade 2-1/2 in. Brass Ball Valve Full Port	IPS	2-1/2"	5.99	Ø2.56	4.59	9.06
PT-BBV300-FP	Pro-Trade 3 in. Brass Ball Valve Full Port	IPS	3"	6.50	Ø2.96	4.87	9.06



No.	Part	Material
1	Gland Nut	Brass
2	Hex Nut	Steel
3	Handle	Steel
4	Stem	Brass
5	Stem Packing	PTFE
6	End Cap	Brass
7	Seat	PTFE
8	Ball	C.P. Brass
9	Body	Brass

FEATURES/BENEFITS

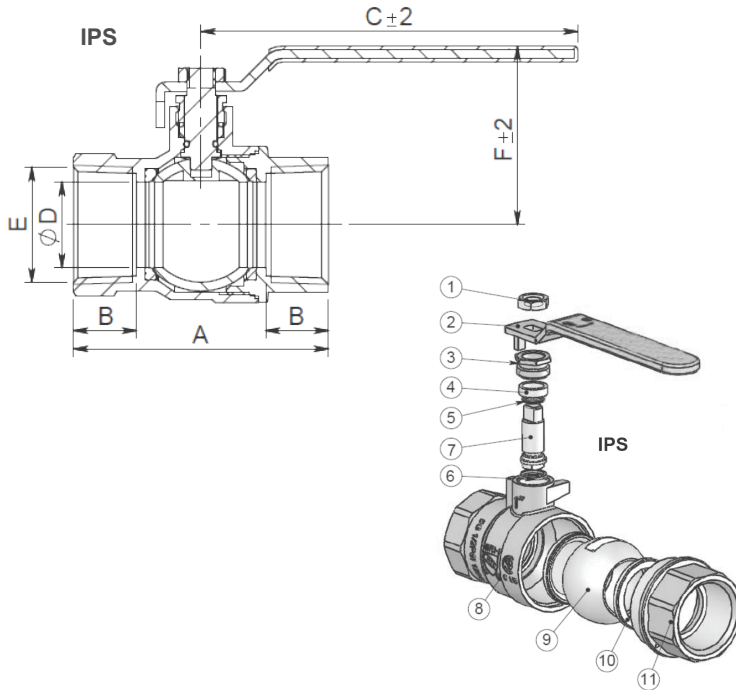
- Lead-Free Forged Brass
- Full Port
- Two-Piece Body
- Blow-Out-Proof Stem
- Chrome-Plated Solid Brass Ball
- Thread Ends Comply per ANSI B1.20.1
- Conforms to MSS-SP-110
- 600 PSI Non-Shock / CWP 150 PSI SWP
- cUPC, NSF 61 and NSF 372 Approved
- CSA Gas Approved to 2" (IPS Only)



LEAD-FREE

Product will have LF
imprinted on the body
for Lead-Free

PRO-TRADE SKU	DESCRIPTION	CONNECTION TYPE	SIZE	A	B	C	D	E	F
PT-BBV075-FP-LF	Pro-Trade 3/4 in. Brass Ball Valve Full Port Lead-Free	IPS	3/4"	2.30	0.57	4.14	Ø0.71	14NPT	1.78
PT-BBV100-FP-LF	Pro-Trade 1 in. Brass Ball Valve Full Port Lead-Free	IPS	1"	2.80	0.69	4.14	Ø0.95	11.5NPT	1.96
PT-BBV150-FP-LF	Pro-Trade 1-1/2 in. Brass Ball Valve Full Port Lead-Free	IPS	1-1/2"	3.51	0.71	4.93	Ø1.46	11.5NPT	2.67



No.	Part	Material
1	Hex Nut	Steel
2	Handle	Steel
3	Packing Nut	Brass C86400
4	Packing Gland	PTFE
5	O-Ring	EPDM
6	Washer	PTFE
7	Stem	Brass C36000
8	Bonnet	Brass C46500
9	Ball	1/2"-1" C.P. Brass C46500 1-1/4"&1-1/2" SS 304
10	Seat	PTFE
11	Body	Brass C46500

*This product complies with 0.25% weighted average lead content on wetted surfaces in accordance with the Safe Drinking Water Act (SDWA) / Federal Public Law No. 111-380.