

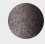

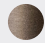


# PT-PTH2

Product: \_\_\_\_\_

Type: \_\_\_\_\_

Project: \_\_\_\_\_

FINISH	PRODUCT CODE	HOUSING	WIDTH	HEIGHT
 Bronze	PT-PTH2-BZ-NL	Aluminum	6"	21"
 Black	PT-PTH2-BK-NL	Aluminum	6"	21"
 Antique	PT-PTH2-BS-NL	Brass	6"	21"

## SPECIFICATIONS

### CONSTRUCTION:

- Aluminum or Brass Housing
- Locking Nut for Precise Aiming
- EPDM Rubber Plug-In Base

### LENS:

- Heat-Resistant Polycarbonate

### LAMP:

- No Lamp Included
- Operates T3 Bi-Pin Lamps

### POWER:

- Input Voltage 10-15V

### SOCKET:

- High-Temperature Ceramic
- G4 Bi-Pin with Nickel Contacts
- Heat-Resistant Leads

### MOUNT:

- Includes ABS Slotted Ground Stake

### WIRING:

- Pre-Wired with Three Ft. SPT-2W Lead Wire

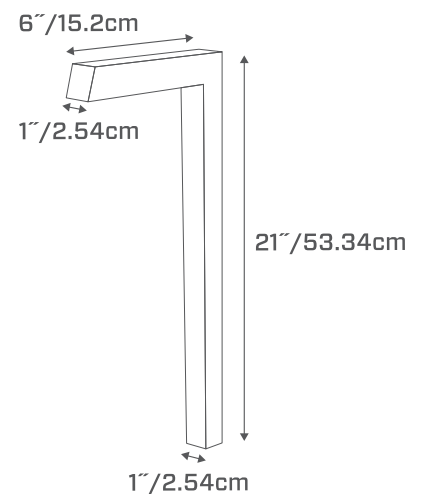
### WARRANTY:

(Free from Material Defects and/or Workmanship)

- Brass: Lifetime
- Aluminum: Five Years

### CERTIFICATIONS:

- ETL Listed to UL Standard 1838 and CAN/CSA-22.2 No. 250.7


[ProTradeLighting.com](http://ProTradeLighting.com)

2022-5597

— Exclusively at —  

**SiteOne<sup>®</sup>**  
 LANDSCAPE SUPPLY