



PT-TR2-100PC

Product: _____

Type: _____

Project: _____

PRODUCT CODE	POWER RATING	PRIMARY VOLTAGE	SECONDARY VOLTAGE
PT-TR2-100PC	100W	120V	12V

SPECIFICATIONS

CONSTRUCTION:

- Polycarbonate Case
- Fully Encapsulated Magnetic Core
- Keyhole Slot for Quick Mount

ELECTRICAL:

- Input Voltage: 120V
- Output Voltage: 12V
- Overload Protection with Auto Thermal Shut-Off
- Secondary Side Magnetic Circuit Breakers

FEATURES:

- Field Replaceable Integrated Photocell and Timer
- Timer Functions: Constant On, Dusk to Dawn, and up to 9 Hour On from Dusk

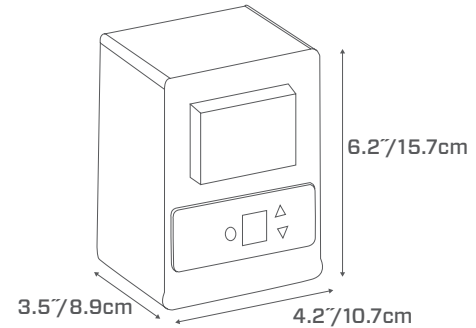
WARRANTY:

(Free from Material Defects and/or Workmanship)

- Five Years

CERTIFICATIONS:

- ETL Listed to UL Standard 1838 and CAN/CSA-22.2 No. 250.7



ProTradeLighting.com

2023-7033

— Exclusively at —

SiteOne
 LANDSCAPE SUPPLY