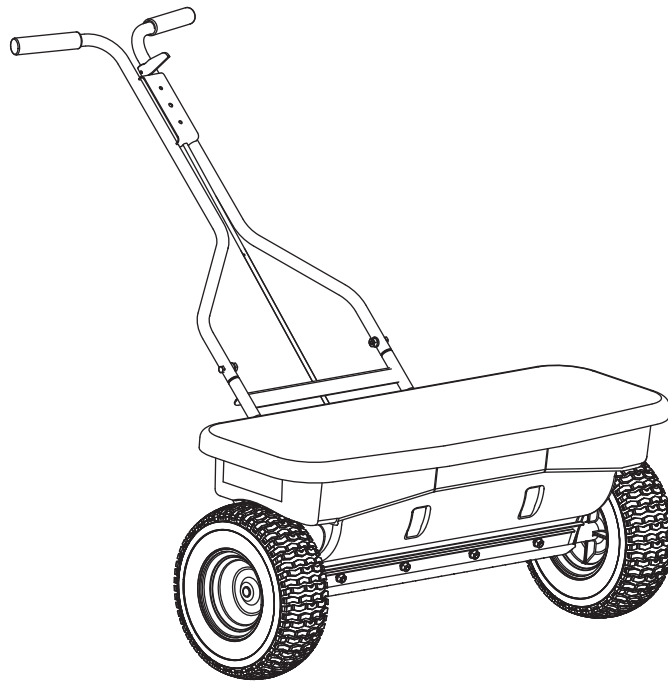




# Walk-Behind Drop Spreader

## SD-95 & SD-95SS

### Parts List

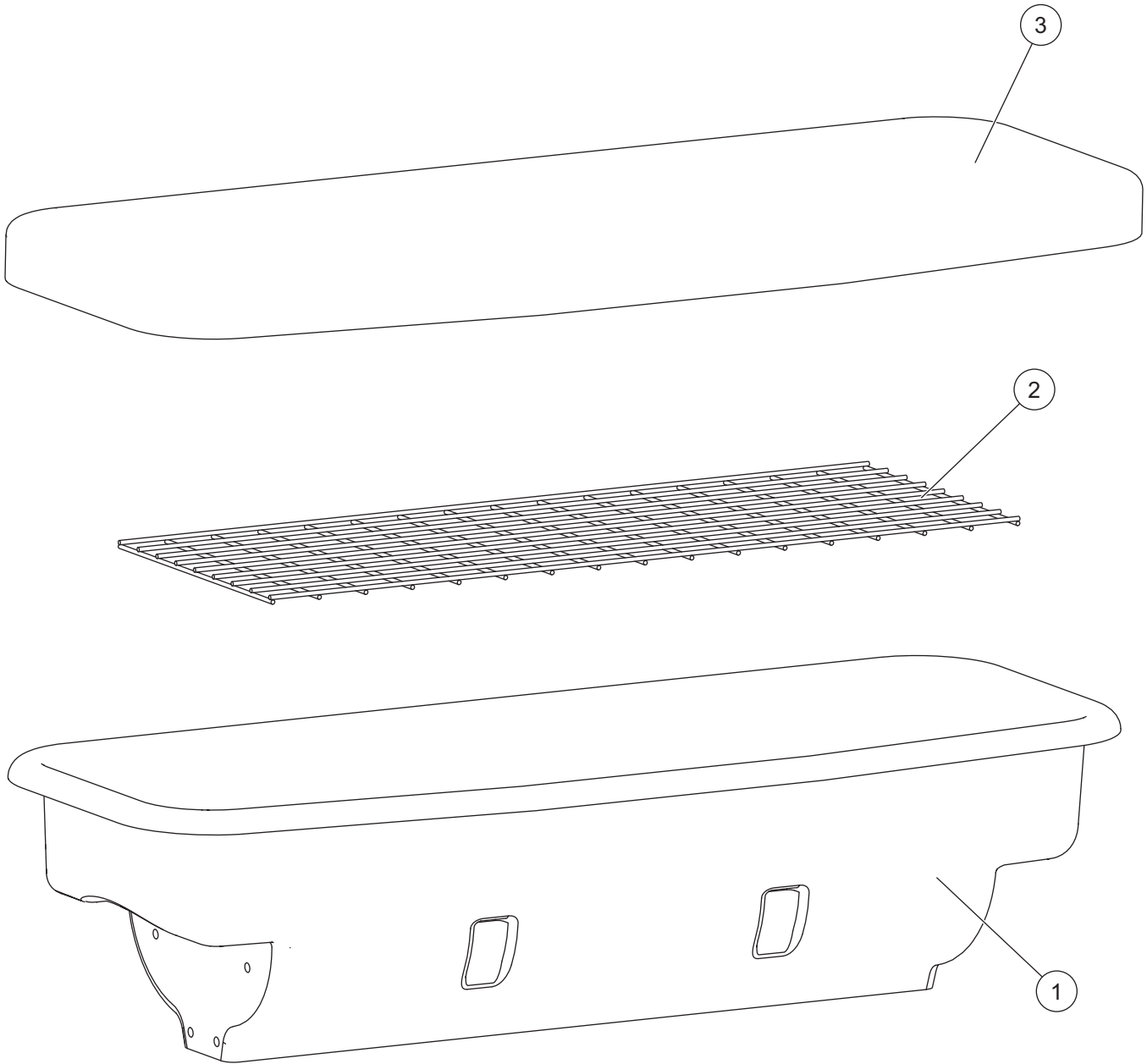


This document is for SnowEx® SD-95 and SD-95SS walk-behind drop spreaders with serial numbers beginning with PF-101257 and higher, or PG-100265 and higher.

# SD-95 & SD-95SS WALK-BEHIND DROP SPREADER

---

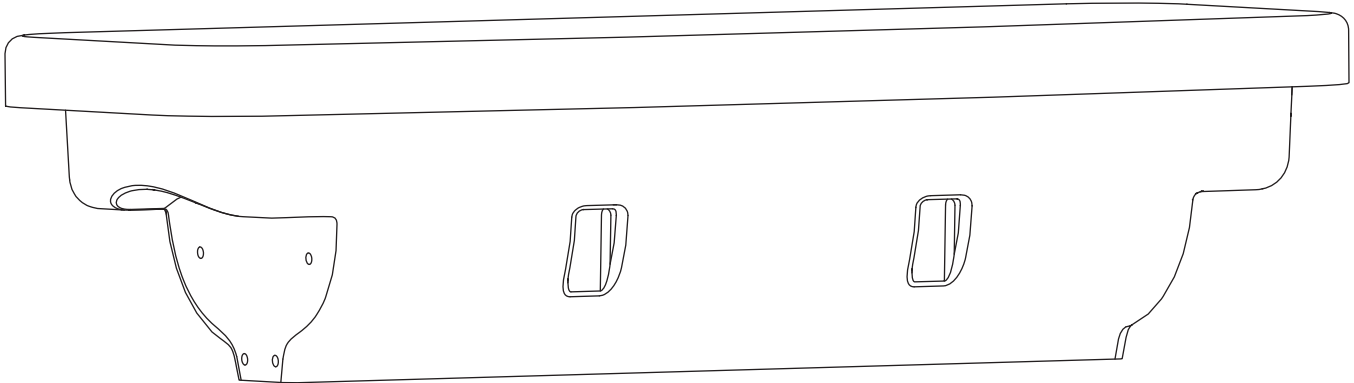
## HOPPER ASSEMBLY: MODEL SD-95/SD-95SS



# SD-95 & SD-95SS WALK-BEHIND DROP SPREADER

---

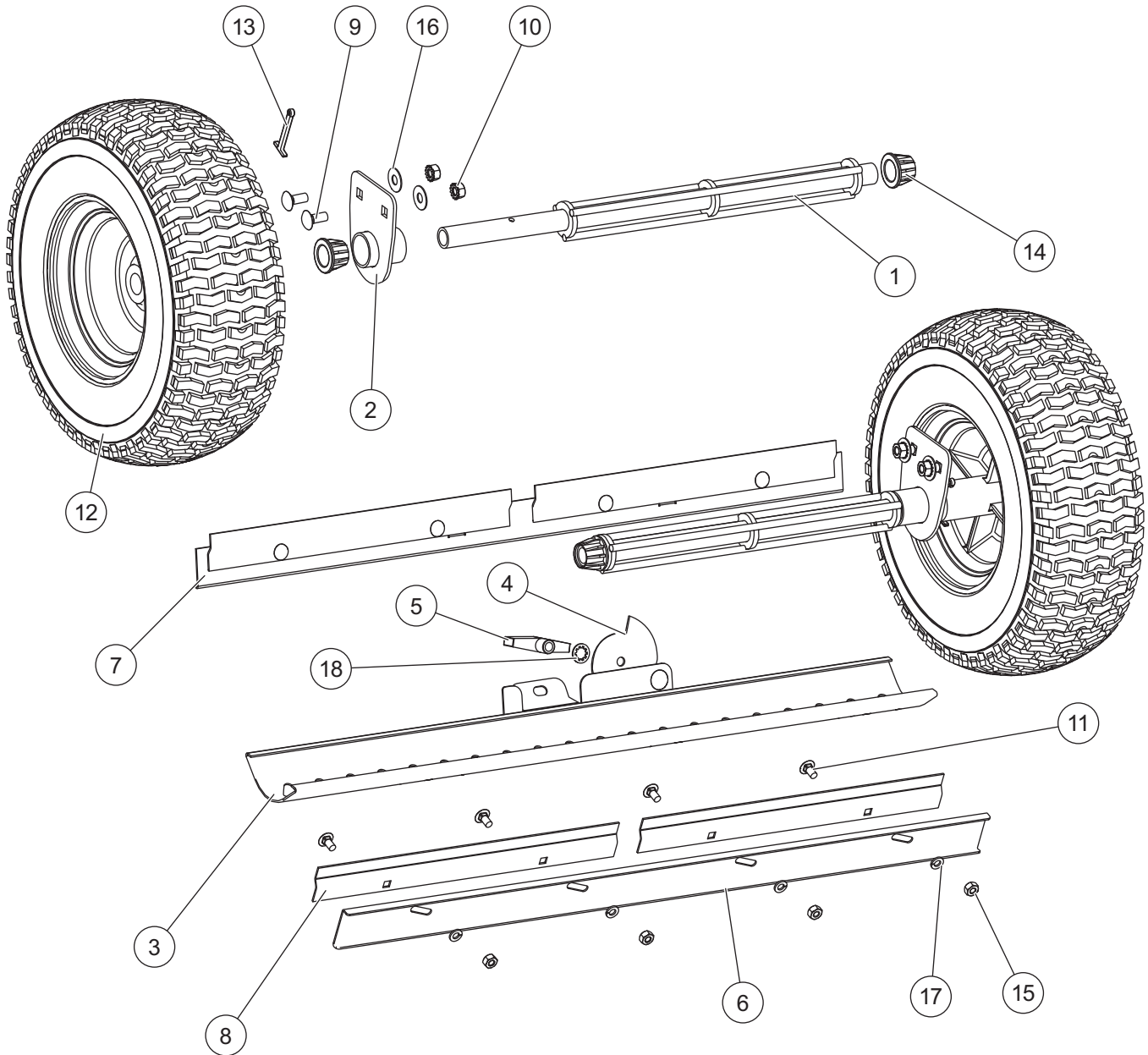
## HOPPER ASSEMBLY: MODEL SD-95/SD-95SS



| SD-95/SD95SS Hopper Assembly |       |     |             |      |       |     |             |
|------------------------------|-------|-----|-------------|------|-------|-----|-------------|
| Item                         | Part  | Qty | Description | Item | Part  | Qty | Description |
| 1                            | D5000 | 1   | Hopper      | 3    | D5020 | 1   | Clear Cover |
| 2                            | D5008 | 1   | Screen      |      |       |     |             |

# SD-95 WALK-BEHIND DROP SPREADER

## LOWER AXLE ASSEMBLY: MODEL SD-95



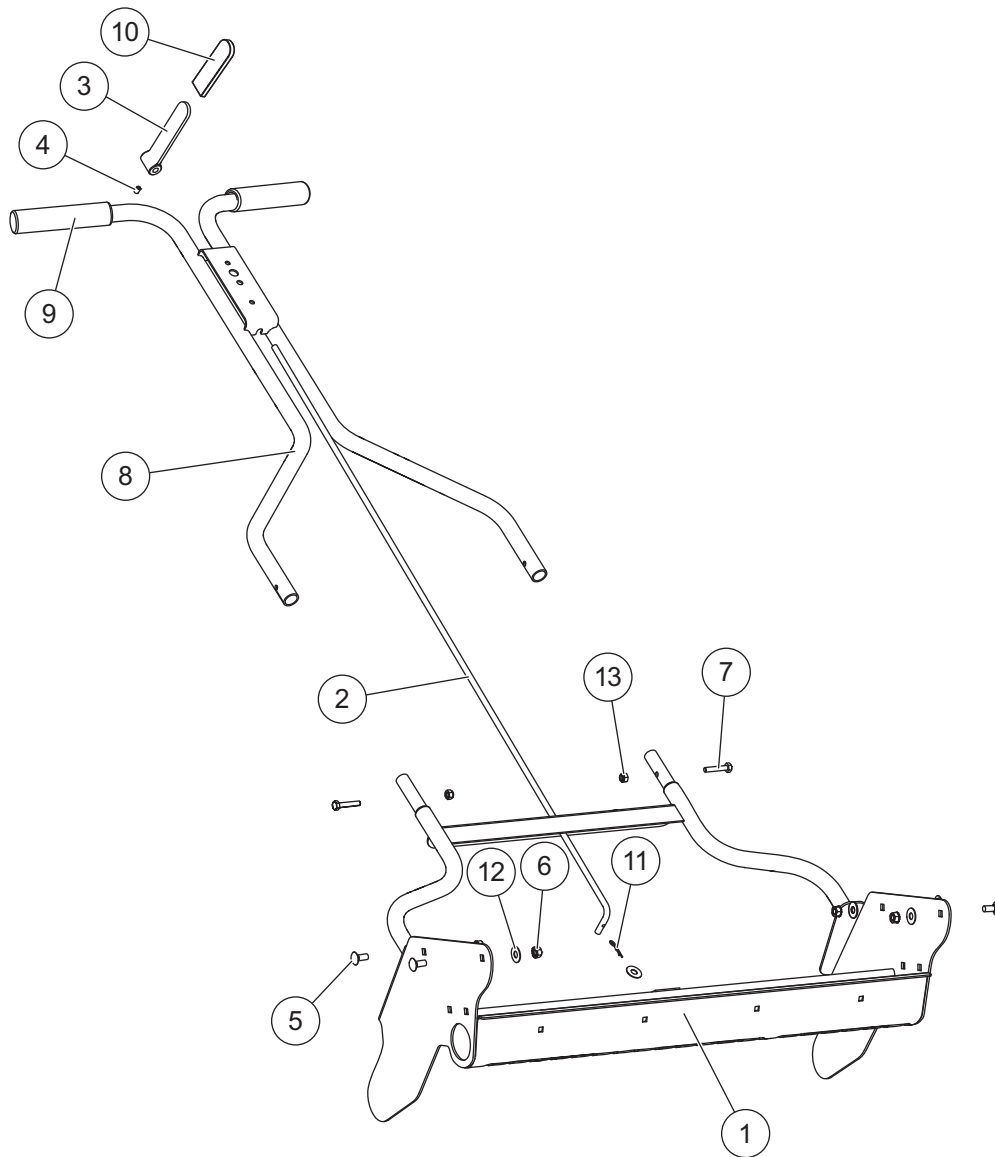
**SD-95 Lower Axle Assembly Components**

| Item | Part  | Qty | Description                    | Item | Part  | Qty | Description                       |
|------|-------|-----|--------------------------------|------|-------|-----|-----------------------------------|
| 1    | D5001 | 2   | Agitator Bar                   | 10   | D5023 | 4   | 5/16 Keps Nut SS                  |
| 2    | D5003 | 2   | Bearing Bracket                | 11   | D5024 | 8   | 1/4-20 x 1/2 Carriage Bolt SS     |
| 3    | D5005 | 1   | Slide Gate                     | 12   | D5904 | 2   | Wheel                             |
| 4    | D5006 | 1   | Calibration Cam                | 13   | D5919 | 2   | 3/16 x 2 Cotter Pin SS            |
| 5    | D5007 | 1   | 5/16-18 T-Handle Knob          | 14   | D5923 | 4   | Axle Bushing                      |
| 6    | D5009 | 1   | Adjustment Angle               | 15   | D5942 | 8   | 1/4-20 Hex Nut SS                 |
| 7    | D5010 | 1   | Stop Angle                     | 16   | D5949 | 4   | 5/16 Flat Washer SS               |
| 8    | D5014 | 4   | Clamp Cleat                    | 17   | D6134 | 8   | 1/4 Lock Washer SS                |
| 9    | D5022 | 4   | 5/16-18 x 3/4 Carriage Bolt SS | 18   | D7173 | 1   | 3/8 Internal Tooth Lock Washer SS |

SS = Stainless Steel

# SD-95 WALK-BEHIND DROP SPREADER

## MAIN FRAME ASSEMBLY: MODEL SD-95

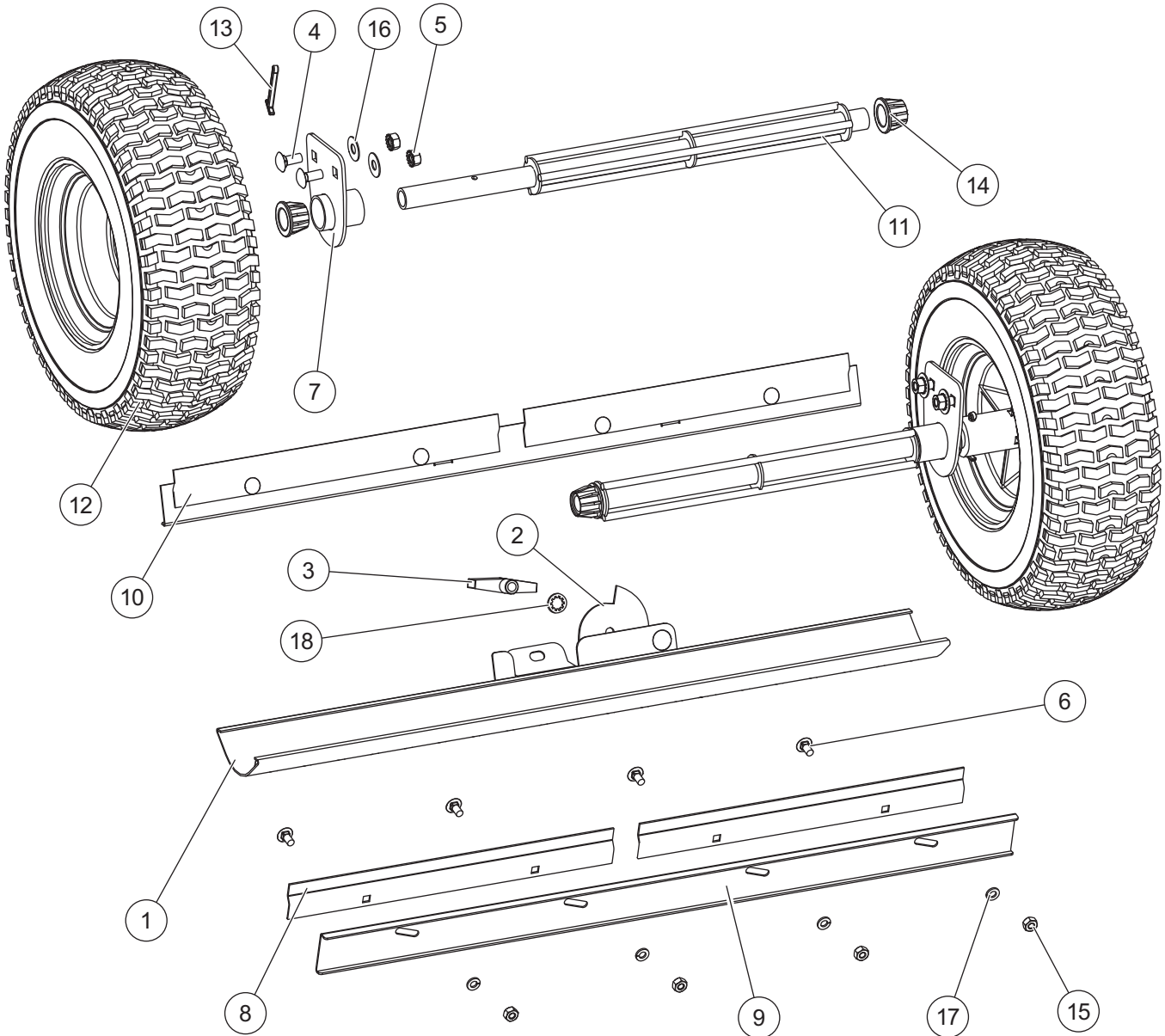


**SD-95 Main Frame Assembly Components**

| Item                 | Part  | Qty | Description                         | Item      | Part   | Qty | Description              |
|----------------------|-------|-----|-------------------------------------|-----------|--------|-----|--------------------------|
| 1                    | D5002 | 1   | Main Frame                          | 8         | D5908  | 1   | Handle Assembly          |
| 2                    | D5004 | 1   | Actuator Rod                        | 9         | D5917  | 2   | Handle Grip              |
| 3                    | D5011 | 1   | Operator Lever                      | 10        | D5929  | 1   | Handle Cover             |
| 4                    | D5012 | 1   | 1/4-20 x 3/8 Set Screw Socket Plain | 11        | D5945  | 1   | Hairpin Clip, 0.0585     |
| 5                    | D5022 | 4   | 5/16-18 x 3/4 Carriage Bolt SS      | 12        | D5949  | 5   | 5/16 Washer              |
| 6                    | D5023 | 4   | 5/16-18 Keps Nut SS                 | 13        | T15016 | 2   | 1/4-20 Hex Locknut GB SS |
| 7                    | D5907 | 2   | 1/4-20 x 1-3/8 Hex Cap Screw SS     |           |        |     |                          |
| SS = Stainless Steel |       |     |                                     | G = Grade |        |     |                          |

# SD-95SS WALK-BEHIND DROP SPREADER

## LOWER AXLE ASSEMBLY: MODEL SD-95SS



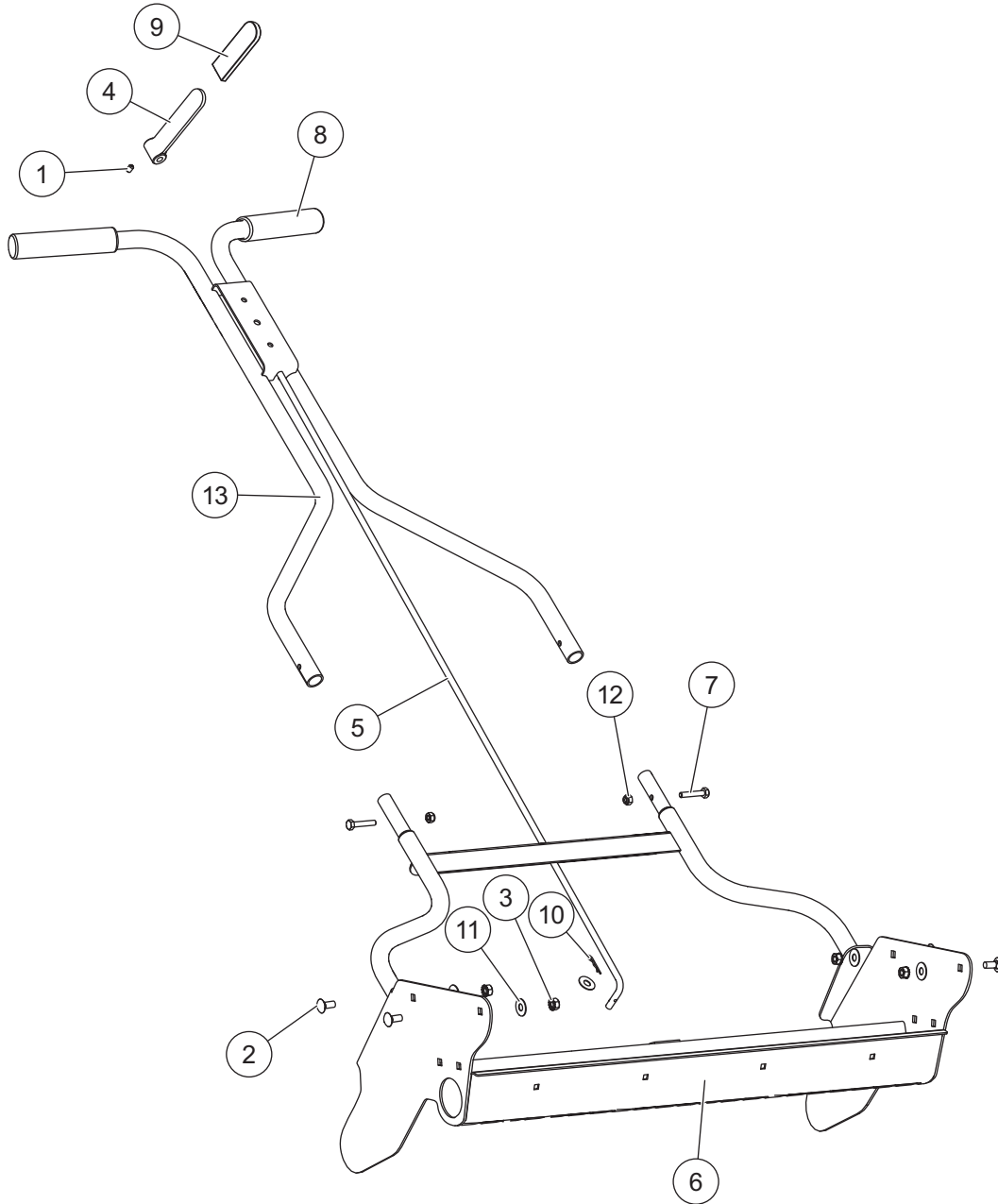
**SD-95SS Lower Axle Assembly Components**

| Item | Part  | Qty | Description                    | Item | Part  | Qty | Description                       |
|------|-------|-----|--------------------------------|------|-------|-----|-----------------------------------|
| 1    | D5005 | 1   | Slide Gate                     | 10   | D5376 | 1   | Gate Mount Bracket, SS            |
| 2    | D5006 | 1   | Calibration Cam                | 11   | D5379 | 2   | Agitator Axle                     |
| 3    | D5007 | 1   | 5/16-18 T-Handle Knob          | 12   | D5904 | 2   | Wheel                             |
| 4    | D5022 | 4   | 5/16-18 x 3/4 Carriage Bolt SS | 13   | D5919 | 2   | 3/16 x 2 Cotter Pin SS            |
| 5    | D5023 | 4   | 5/16 Keps Nut SS               | 14   | D5923 | 4   | Axle Bushing                      |
| 6    | D5024 | 8   | 1/4-20 x 1/2 Carriage Bolt SS  | 15   | D5942 | 8   | 1/4-20 Hex Nut SS                 |
| 7    | D5373 | 2   | Bearing Bracket                | 16   | D5949 | 4   | 5/16 Flat Washer SS               |
| 8    | D5374 | 4   | Clamp Cleat                    | 17   | D6134 | 8   | 1/4 Lock Washer SS                |
| 9    | D5375 | 1   | Adjust Angle                   | 18   | D7173 | 1   | 3/8 Internal Tooth Lock Washer SS |

SS = Stainless Steel

# SD-95SS WALK-BEHIND DROP SPREADER

## MAIN FRAME ASSEMBLY: MODEL SD-95SS



| SD-95SS Main Frame Assembly Components |       |     |                                     |           |        |     |                          |
|--|-------|-----|-------------------------------------|-----------|--------|-----|--------------------------|
| Item                                   | Part  | Qty | Description                         | Item      | Part   | Qty | Description              |
| 1                                      | D5012 | 1   | 1/4-20 x 3/8 Set Screw Socket Plain | 8         | D5917  | 2   | Handle Grip              |
| 2                                      | D5022 | 4   | 5/16-18 x 3/4 Carriage Bolt SS      | 9         | D5929  | 1   | Handle Cover             |
| 3                                      | D5023 | 4   | 5/16-18 Keps Nut SS                 | 10        | D5945  | 1   | Hairpin Clip, 0.0585     |
| 4                                      | D5358 | 1   | Operator Lever                      | 11        | D5949  | 5   | 5/16 Washer              |
| 5                                      | D5359 | 1   | 43" Actuator Rod SS                 | 12        | T15016 | 2   | 1/4-20 Hex Locknut GB SS |
| 6                                      | D5372 | 1   | Main Frame                          | 13        | T30153 | 1   | Handle Assembly          |
| 7                                      | D5907 | 2   | 1/4-20 x 1-3/8 Hex Cap Screw SS     |           |        |     |                          |
| SS = Stainless Steel                   |       |     |                                     | G = Grade |        |     |                          |



TrynEx International  
531 Ajax Drive  
Madison Heights, MI 48071-2429  
[www.snowexproducts.com](http://www.snowexproducts.com)

 A DIVISION OF DOUGLAS DYNAMICS, LLC

Copyright © 2019 Douglas Dynamics, LLC. All rights reserved. This material may not be reproduced or copied, in whole or in part, in any printed, mechanical, electronic, film, or other distribution and storage media, without the written consent of TrynEx International, LLC. Authorization to photocopy items for internal or personal use by TrynEx International outlets or spreader owner is granted.

TrynEx International reserves the right under its product improvement policy to change construction or design details and furnish equipment when so altered without reference to illustrations or specifications used. TrynEx International may require or recommend optional equipment for spreaders. TrynEx International offers a limited warranty for all spreaders and accessories. See separately printed page for this important information. The following is a registered (®) trademark of Douglas Dynamics, LLC: SnowEx®.

**Printed in U.S.A.**