



Straight Blade Hydraulic Assemblies with Isolation Module Electrical System Parts List



TABLE OF CONTENTS

Hydraulic Unit.....	1
Motor Manufacturer Identification and Service Parts	3
Ram Components	4
Hydraulic System	5
Bolt Bag and O-Ring Kit Components.....	6
Electrical Components.....	7
Harness Diagram	8

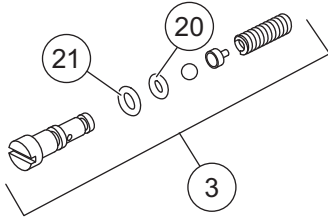
FloStat® Hydraulic Kit Parts List

64588, 64620 & 64999 FloStat Hydraulic Kits				
Part	Description	Qty		
		PRO-PLOW® & STANDARD PLOW 64588	PRO-PLOW Series 2 & MIDWEIGHT™ 64620	PRO PLUS® 64999
56544	Hydraulic Unit – FloStat	1	1	1
56538K	Ram Assembly 1-1/2 x 8 Kit	1	1	1
56614	Ram Assembly 1-1/2 x 10 Kit	2		
64706	Ram Assembly 1-1/2 x 10 Kit		2	
64148	Ram Assembly 1-1/2 x 12 Kit			2
21294	Plow Battery Cable	1	1	1
63411	Vehicle Battery Cable	1	1	1
22511K	Battery Cable 22" Red	1	1	1
61246	Cable Boot	1	1	1
56616-1	Hose, 1/4 x 42 w/F JIC Ends	2		2
64625	Hose, 1/4 x 36 w/F JIC Ends		2	
56617	Hose, 1/4 x 16 w/F JIC Ends	1	1	1
64282	Bolt Bag Assembly Large – See Page 6	1		1
64622	Bolt Bag Assembly Large – See Page 6		1	

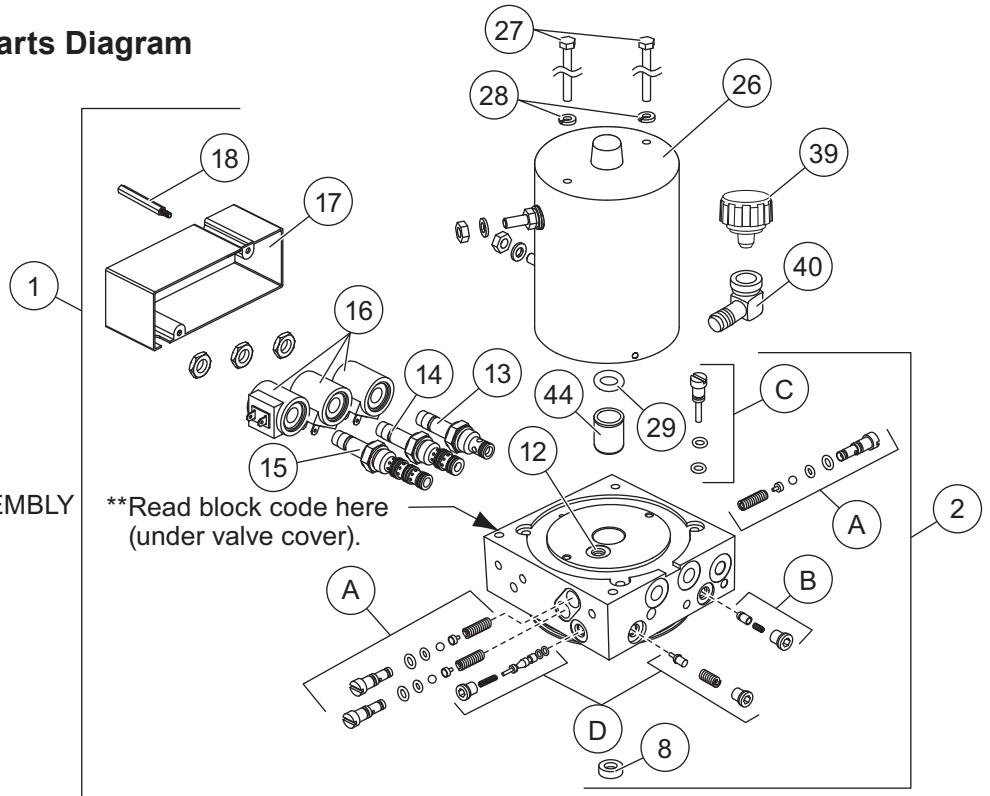
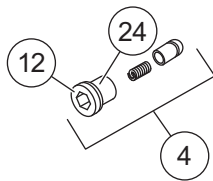
HYDRAULIC UNIT PARTS LIST

FloStat® Hydraulic Unit Parts Diagram

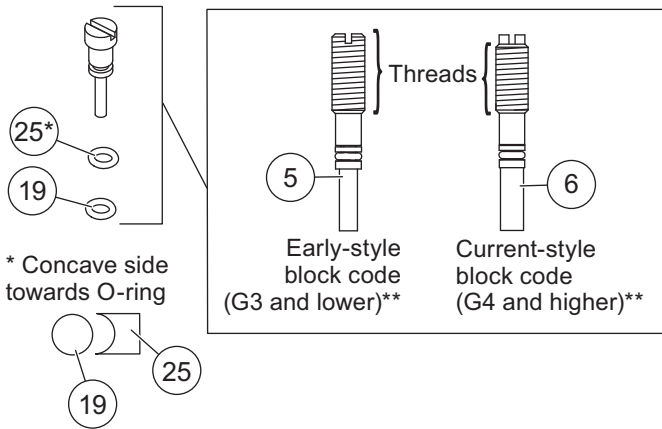
Assembly A RELIEF VALVE KIT



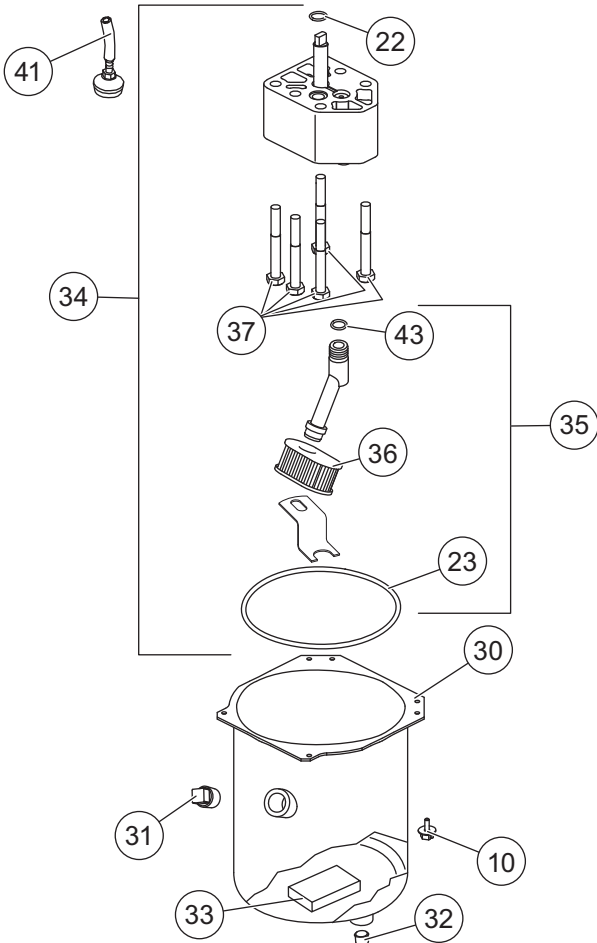
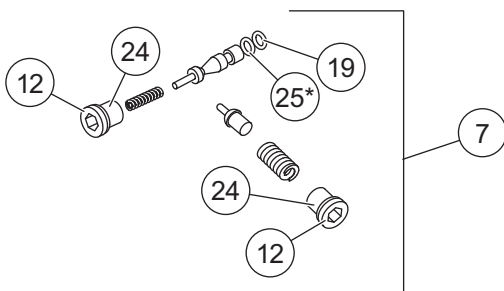
Assembly B BYPASS CHECK VALVE ASSEMBLY



Assembly C QUILL ASSEMBLY



Assembly D POPPET CHECK VALVE KIT



HYDRAULIC UNIT PARTS LIST

56544 Hydraulic Unit – FloStat®							
Item	Part	Qty	Description	Item	Part	Qty	Description
1	56608	1	Valve Manifold Assy FS	26	21500-1	1	Motor Assy 4-1/2 – FS
2	56610	1	Manifold Assy FS	27	–	2	Hex Cap Screw – See Page 3
3	49138K-3	2	Relief Valve Kit – 2 Sets	28	–	2	Spring Lock Washer – See Page 3
4	56507	1	Bypass Check Valve Assy	29	–	1	Fiber Thrust Washer – See Page 3
5	66509	1	Quill Assy	30	21830	1	Reservoir Kit
6	56662	1	Quill Assy	31	92079	1	Plug, Square 3/8 NPTF
7	49226K	1	Poppet Check Valve Kit	32	92095	1	Plug, Hex Socket 1/4 NPTF w/ Thread Sealant – SAE 130109N/P
8	66515*	1	Pump Shaft Seal	33	73897	1	Magnet
10	66607	4	10-24 x 5/16 Machine Screw	34	21501-1	1	Hydraulic Pump Kit – FS
12	92960	4	Plug, Hex Socket –3 M ORB	35	66763-1	1	Inlet Fitting/Filter Kit
13	49227K-2	1	Cartridge 20 w/Jam Nut	36	56789-3	1	Suction Filter
14	66608-1	1	Cartridge 31 w/Jam Nut	37	90073	5	5/16-18 x 2-1/4 Hex Cap Screw G5
15	49229K-1	1	Cartridge 40 w/Jam Nut	39	21727-2K	1	Breather, Pressure Control
16	49230K-2	3	Coil w/Spade Terminals	40	21726K	1	Elbow, Street 90° 3/8 M NPTF/3/8 F NPTF
17	21394	1	Cover Assy	41	66405	1	Return Screen Assy
18	56580K	2	Screw, Standoff	43	56416	1	O-Ring – 014
19	25622	2	O-Ring – 006	44	64596-1**	1	Bearing Sleeve Replacement Kit
20	55371	3	O-Ring – 008	ns	56657-3	1	O-Ring & Back-Up Ring Kit – SOL
21	25731	3	O-Ring – 010	ns	49258-2	1	Seal Kit – Cartridge 20
22	56274	1	O-Ring – 013	ns	49259-2	1	Seal Kit – Cartridge 30, 31, 33, 40, and 43
23	66519	1	O-Ring 2 – 250				
24	26784	4	O-Ring – 903				
25	56315	2	Back-Up Ring – 006				
Item 44 64596-1 Bearing Sleeve Replacement Kit							
8	66515*	1	Pump Shaft Seal	22	56274	1	O-Ring – 013
44	**	1	Bearing Sleeve Replacement Kit	23	66519	1	O-Ring 2 – 250
56657-3 O-Ring & Back Up Ring Kits – SOL (Universal Kit – Not all contents are used in straight blade applications.)							
19	25622	2	O-Ring – 006	43	56416	1	O-Ring – 014
25	56315	2	Back Up Ring – 006	ns	25620	1	O-Ring – 115
20	55371	5	O-Ring – 008, 90 Durometer	ns	25618	1	O-Ring – 216
ns	66628	4	Back Up Ring – 008	ns	66028	1	O-Ring – 226
21	25731	9	O-Ring – 010	23	66519	1	O-Ring 2 – 250
ns	66627	4	O-Ring – 011	24	26784	4	O-Ring – 903
ns	25730	4	O-Ring – 012	ns	56569	4	O-Ring – 906
22	56274	1	O-Ring – 013	ns	56776	4	O-Ring – 008, 70 Durometer, Red
ns = not shown				G = Grade			

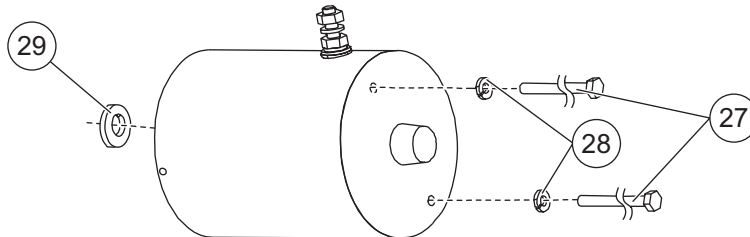
* Use 28856 tool for pump shaft seal replacement (tool includes 1 seal).

** Use 64589 tool for bearing sleeve replacement (tool includes 1 bearing).

MOTOR PARTS LIST

Motor Manufacturer Identification and Service Parts

Photos show terminal positions and end caps for brand identification.
 (Motors shown with flanges. Flange not used in UltraMount® application.)

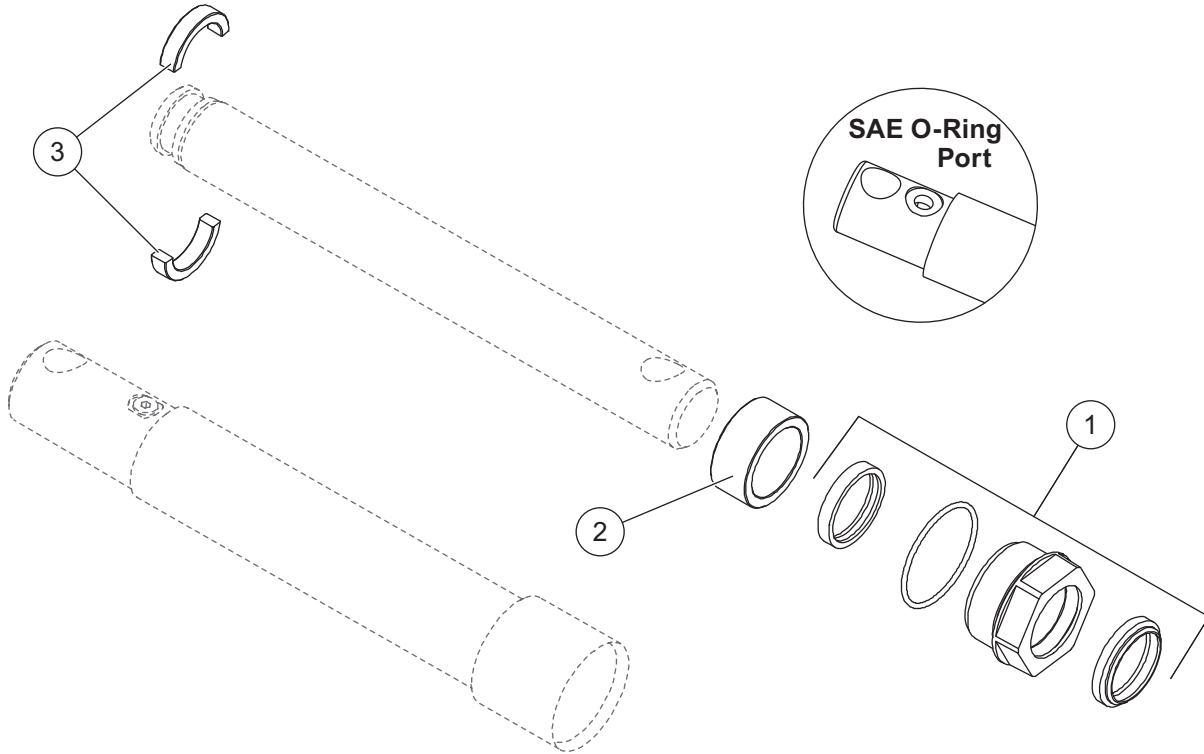


Prestolite 2 Terminal			
Item	Part	Qty	Description
27 & 28	56621	1	Thru-Bolt Kit (Includes cap screws and special washers.)
29	56641	1	Thrust Washer Kit (Includes retaining ring for early production.)
ns	56638	1	End Cap w/O-Ring Kit ns = not shown

Bosch 2 Terminal			
Item	Part	Qty	Description
27	21508	2	1/4-20 x 6-1/4 Hex Cap Screw G5
28	91201	2	1/4 Spring Lock Washer
29	21535	1	5/8 Fiber Thrust Washer (drive end)
G = Grade			

RAM COMPONENTS

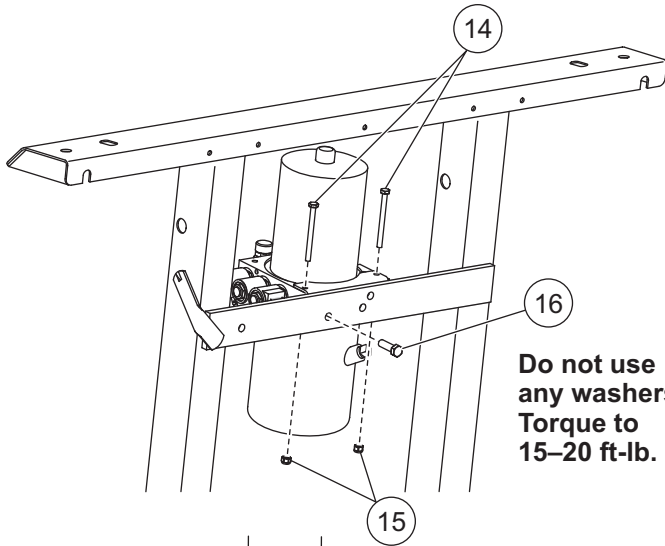
1-1/2" Ram Components with O-Ring Port/Gland Nut



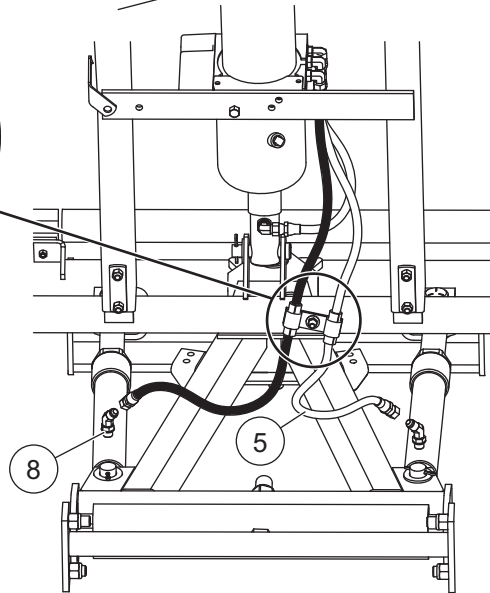
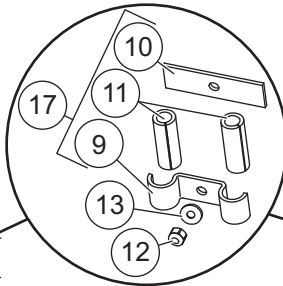
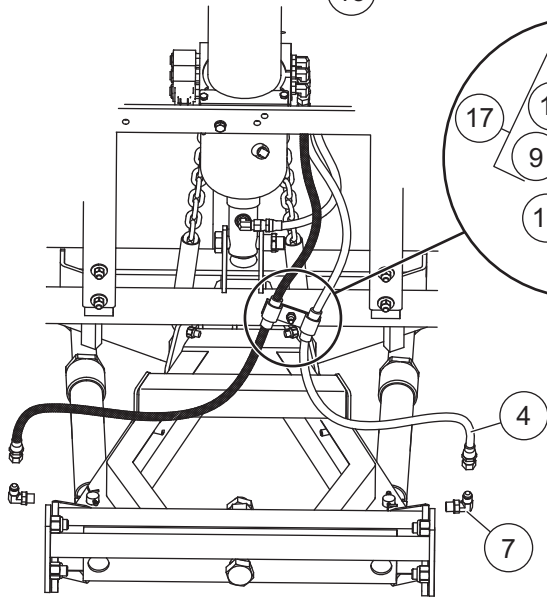
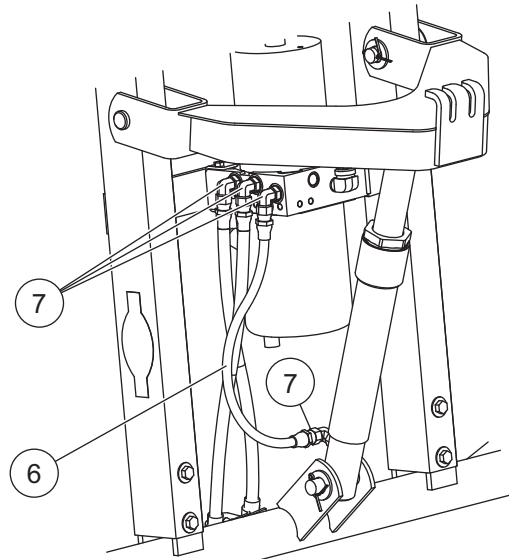
Single-Acting Rams						
Part:		56538K	56614	64706	64148	
Application:		Straight Blade Lift Ram	Standard and PRO-PLOW® Angle Ram 3/4" Pinholes	MIDWEIGHT™ and PRO-PLOW Series 2 Angle Ram 1" Pinholes	PRO PLUS® Angle Ram	
Item	Description	Ram Size:	1-1/2" x 8"	1-1/2" x 10"	1-1/2" x 10"	1-1/2" x 12"
1	Seal Kit with PolyPak Seal		48985	48985	48985	48985
2	Spacer		56537	56537	56537	56537
3	Split Bearing Kit, 1-1/2"		64650	64650	64650	64650

HYDRAULIC UNIT COMPONENTS

FloStat® Hydraulic Unit Components



Do not use any washers.
Torque to 15–20 ft-lb.



Standard, PRO-PLOW®, PRO PLUS® Snowplow

MIDWEIGHT™, PRO-PLOW Series 2 Snowplow

FloStat Hydraulic System Parts List							
Item	Part	Qty	Description	Item	Part	Qty	Description
4	56616-1	2	Hose, 1/4 x 42 w/F JIC Ends	13	90313	1	5/16 Flat Washer
5	64625	2	Hose, 1/4 x 36 w/F JIC Ends	14	90010	2	1/4-20 x 2-3/4 Hex Cap Screw G5
6	56617	1	Hose, 1/4 x 16 w/F JIC Ends	15	91331	2	1/4-20 Hex Locknut GB
7	56615-1	*	Elbow, 90° –6 M JIC/–6 M ORB	16	90039	1	3/8-16 x 1 Hex Cap Screw G5
8	26694	2	Elbow, 45° –6 M JIC/–6 M ORB	17	64725	1	Hose Clamp Kit
12	91332	1	5/16-18 Hex Locknut GB				
Item 17				64725 Hose Clamp Kit			
9		1	Hose Clamp, Double	11		2	Sleeve
10		1	Clamp Base				
M = Metric				G = Grade			

*

6 Standard, PRO-PLOW & PRO PLUS Snowplows

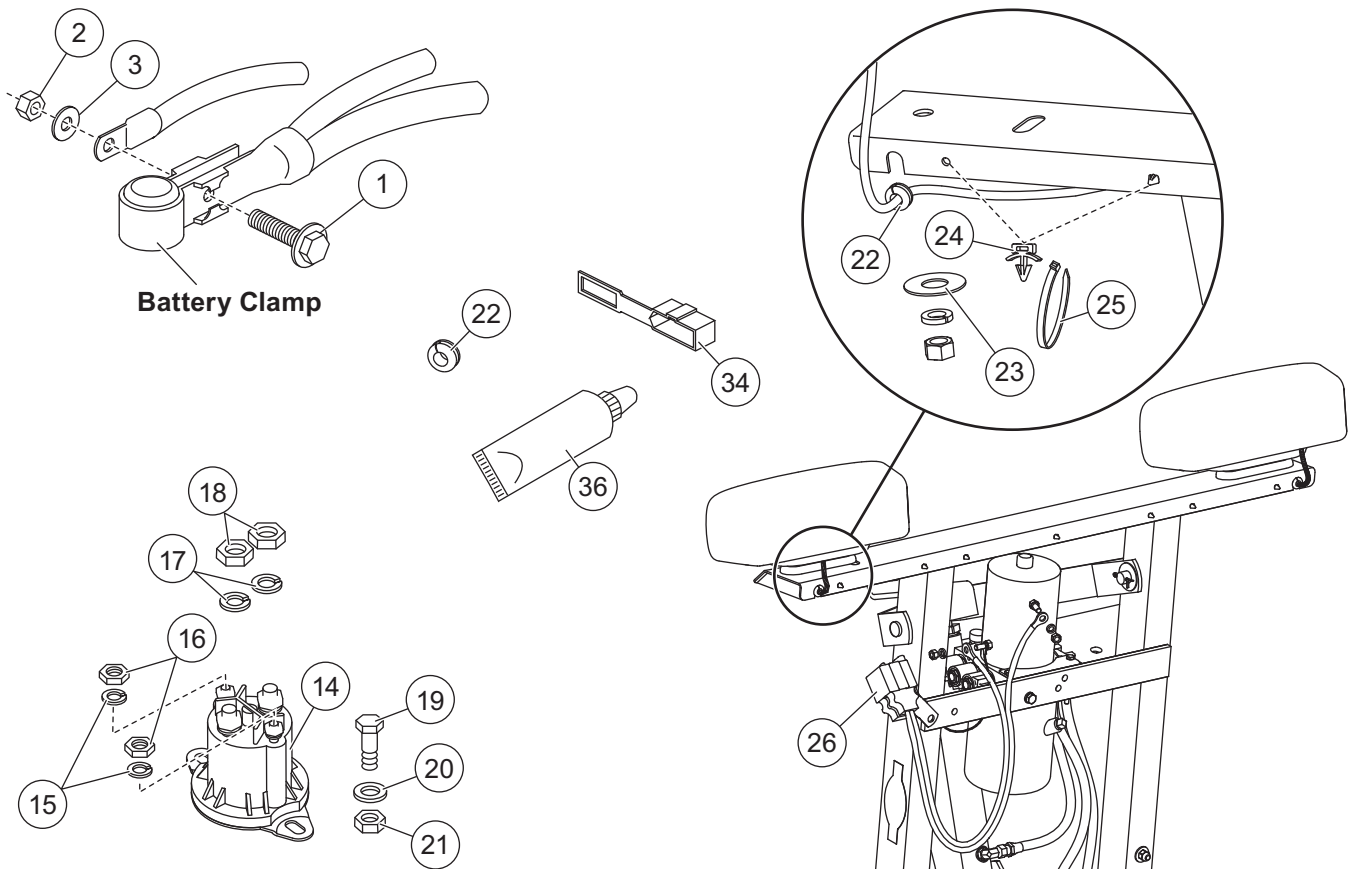
4 MIDWEIGHT, PRO-PLOW Series 2 Snowplows

BOLT BAG ASSEMBLY

64282 Bolt Bag Assembly Large (Standard, PRO-PLOW®, PRO PLUS®)					
Part	Qty	Description	Part	Qty	Description
56615-1	6	Elbow, 90° –6 M JIC/–6 M ORB		1	Clamp Base
56099	1	Dielectric Grease Tube		2	Sleeve
56580K	2	Screw, Standoff	4433	2	1/2 Flat Washer – Type B, Wide
90010	2	1/4-20 x 2-3/4 Hex Cap Screw G5	66130	2	Rubber Grommet
91331	2	1/4-20 Hex Locknut GB	90313	1	5/16 Flat Washer
90039	1	3/8-16 x 1 Hex Cap Screw G5	21726K	1	Elbow, Street 90° 3/8 M NPTF/3/8 F NPTF
91332	1	5/16-18 Hex Locknut GB			
56595	7	Anchor, Cable Tie	64280	1	Bolt Bag, Small
	1	Hose Clamp, Double			
64622 Bolt Bag Assembly Large (MIDWEIGHT™ & PRO-PLOW Series 2)					
56615-1	4	Elbow, 90° –6 M JIC/–6 M ORB		1	Hose Clamp, Double
26694	2	Elbow, 45° –6 M JIC/–6 M ORB		1	Clamp Base
56099	1	Dielectric Grease Tube		2	Sleeve
56580K	2	Screw, Standoff	4433	2	1/2 Flat Washer – Type B, Wide
90010	2	1/4-20 x 2-3/4 Hex Cap Screw G5	66130	2	Rubber Grommet
91331	2	1/4-20 Hex Locknut GB	90313	1	5/16 Flat Washer
90039	1	3/8-16 x 1 Hex Cap Screw G5	21726K	1	Elbow, Street 90° 3/8 M NPTF/3/8 F NPTF
91332	1	5/16-18 Hex Locknut GB			
56595	7	Anchor, Cable Tie	64280	1	Bolt Bag, Small
64280 Bolt Bag, Small (Included In 64282 & 64622)					
90461	2	1/4-20 x 3/4 Hex Cap Screw G5	92842	2	5/16-24 Hex Jam Nut G5
90311	2	1/4 Flat Washer	91402	2	10-32 Hex Machine Screw Nut
91202	2	5/16 Spring Lock Washer	91055	2	M6 x 1.00 x 25 Hex Cap Screw G8.8
91242	2	#10 Spring Lock Washer	91056	2	M6 x 1.00 Hex Nut G10
91331	2	1/4-20 Hex Locknut GB	91057	2	M6 Flat Washer
66130	2	Rubber Grommet			
M = Metric			G = Grade		

ELECTRICAL COMPONENTS

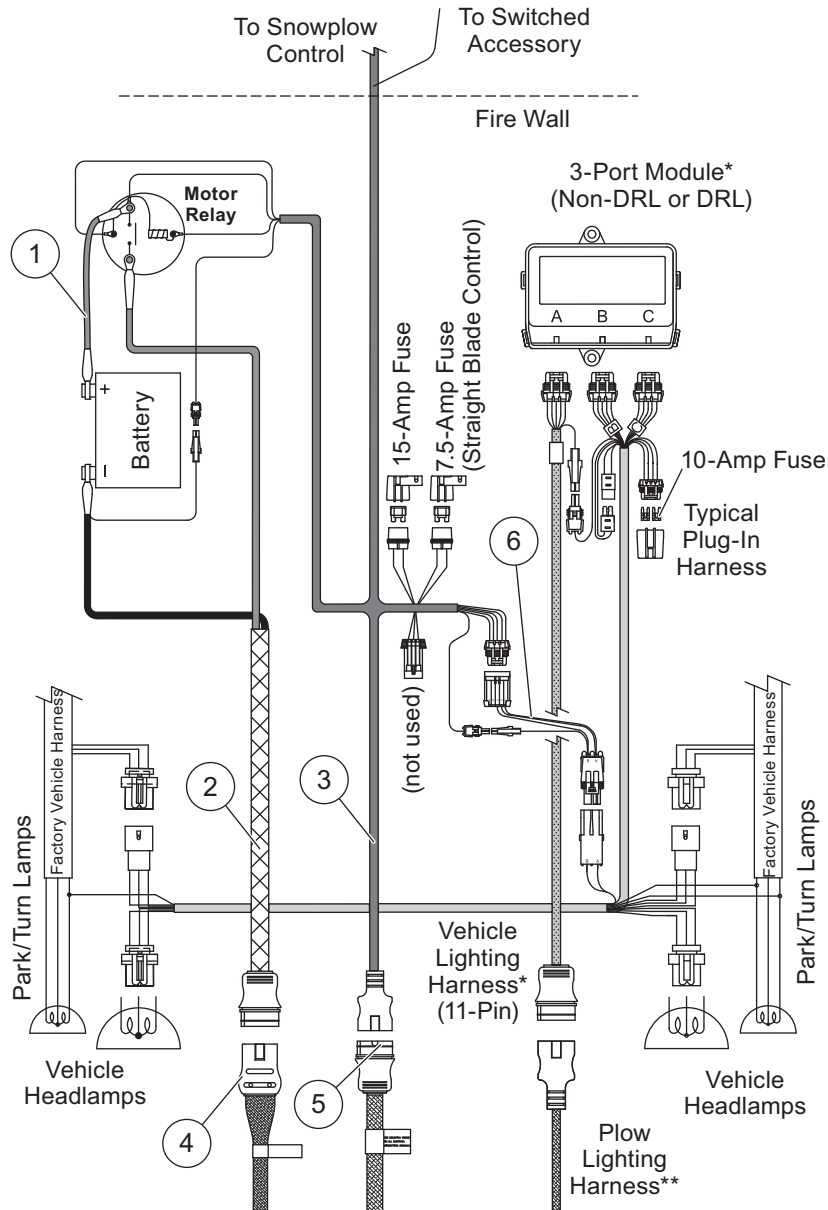
Electrical Components Parts Diagrams



Electrical Components Parts List							
Item	Part	Qty	Description	Item	Part	Qty	Description
1	91055	2	M6 x 1.0 x 25 Hex Cap Screw G8.8	21	91331	2	1/4-20 Hex Locknut GB
2	91056	2	M6 x 1.00 Hex Nut G10	22	66130	4	Rubber Grommet
3	91057	2	M6 Flat Washer	23	4433	2	1/2 Flat Washer – Type B, Wide
14	56131K-2	1	Motor Relay Kit	24	56595	7	Anchor, Cable Tie
15	91242	2	#10 Spring Lock Washer	25	59223	24	Cable Tie
16	91402	2	10-32 Hex Machine Screw Nut	26	61246	1	Cable Boot
17	91202	2	5/16 Spring Lock Washer	34	61548K	1	Plug Cover
18	92842	2	5/16-24 Hex Jam Nut G5	36	56099	1	Dielectric Grease Tube (.25 oz)
19	90461	2	1/4-20 x 3/4 Hex Cap Screw G5	ns	49326	1	Dielectric Grease Tube (2 oz)
20	90311	2	1/4 Flat Washer				
ns = not shown				M = Metric		G = Grade	

HARNESS COMPONENTS

Vehicle-Side Harness Diagram 3-Port, 3-Plug System



Harness Components							
Item	Part	Qty	Description	Item	Part	Qty	Description
1	22511K	1	Battery Cable, 22" Red	6	29047	1	Adapter 3-Port
2	63411	1	Vehicle Battery Cable	ns	27063W	1	Replacement Harness End 3-Pin Vehicle Side
3	26345	1	Vehicle Control Harness 3-Pin	ns	61548K	1	Plug Cover (Battery Cable)
4	21294	1	Plow Battery Cable				
5	26359	1	Plow Control Harness 3-Pin				

ns = not shown

* See Isolation Module Electrical System Parts List for part numbers.

** See Headlamp Kit Parts List for part number.



Western Products
PO Box 245038
Milwaukee, WI 53224-9538
www.westernplows.com

 A DIVISION OF DOUGLAS DYNAMICS, LLC

Copyright © 2013 Douglas Dynamics, LLC. All rights reserved. This material may not be reproduced or copied, in whole or in part, in any printed, mechanical, electronic, film or other distribution and storage media, without the written consent of Western Products. Authorization to photocopy items for internal or personal use by Western Products outlets or snowplow owner is granted.

Western Products reserves the right under its product improvement policy to change construction or design details and furnish equipment when so altered without reference to illustrations or specifications used. Western Products or the vehicle manufacturer may require or recommend optional equipment for snow removal. Do not exceed vehicle ratings with a snowplow. Western Products offers a limited warranty for all snowplows and accessories. See separately printed page for this important information. The following are registered (®) or unregistered (™) trademarks of Douglas Dynamics, LLC: FloStat®, MIDWEIGHT™, PRO-PLOW®, PRO PLUS®, UltraMount®, WESTERN®.

Printed in U.S.A.