



8-1/2' and 9-1/2' MVP[®] Snowplow Service Parts for Hydraulic Assemblies and Lighting Assemblies

These pages cover service parts lists for the
Hydraulics Box and Headlamp Kit
for the MVP Snowplow.

See the MVP Snowplow Vehicle and Plow Mount
Parts Lists for parts in the Mount Assembly Box.



MVP® SNOWPLOW ASSEMBLY PARTS LIST

HYDRAULICS BOX NO. 56777

TABLE OF CONTENTS

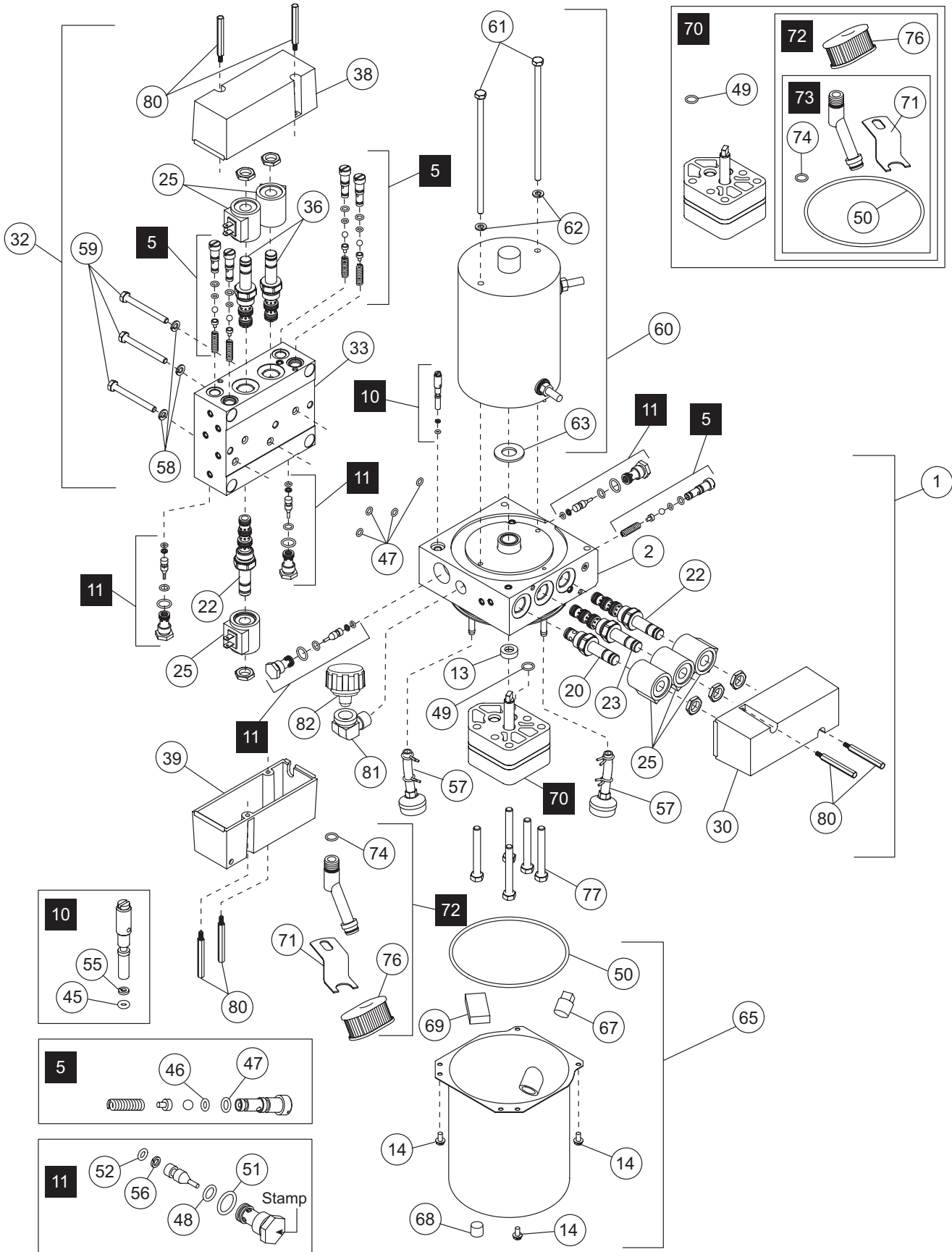
FloStat® Hydraulic Unit - MVP Parts Diagram	1
FloStat Hydraulic Unit - MVP Parts List	2
Motor Manufacturer Identification and Service Parts	3
Angle Ram Diagram and Parts List	4
Lift Ram Diagram and Parts List	4
Abbreviations	4
Hose and Fitting Diagram and Parts List	5
Bolt Bag and O-Ring/Back-Up Ring Kit Parts Lists	6
Cab Control Diagrams and Parts Lists	7
Electrical Diagram and Parts List	9
Headlamp Kit Diagram and Parts List	10
Plug-In Harness Kit Diagram and Parts List	10

HYDRAULICS BOX NO. 56777		
Part	Qty	Description
56786	1	HYDRAULIC UNIT - MVP
56750	2	RAM ASSEMBLY, 2 X 11 DA
56538K	1	RAM ASSEMBLY, 1-1/2 X 8 KIT
56781	1	BOLT BAG ASSY LARGE
56782	1	BOLT BAG SMALL

MVP® SNOWPLOW ASSEMBLY PARTS LIST

HYDRAULICS BOX NO. 56777

FloStat® Hydraulic Unit - MVP Parts Diagram



MVP® SNOWPLOW ASSEMBLY PARTS LIST
HYDRAULICS BOX NO. 56777

FloStat® Hydraulic Unit - MVP Parts List

56786 HYDRAULIC UNIT - MVP							
Item	Part	Qty	Description	Item	Part	Qty	Description
1	66773-1	1	PRIMARY VALVE MANIFOLD ASSY W/ CARTRIDGES, COILS, COVERS	50	66519	1	O-RING 2-250
2	66775-1	1	PRIMARY MANIFOLD ASSY W/O CARTRIDGES, COILS, COVERS	51	56569	4	O-RING -906
5	49138K	2-1/2	RELIEF VALVE KIT - 2 SETS	52	56776	4	O-RING -008, RED, 70 DUROMETER
10	56662	1	QUILL ASSY	55	56315	1	BACK-UP RING -006
11	66785	4	PILOT - CHECK VALVE KIT	56	66628	4	BACK-UP RING -008
13	66515	1	PUMP SHAFT SEAL	57	66405	2	RETURN SCREEN ASSY
14	66607	4	10-24X5/16 MACHINE SCREW	58	91201	3	1/4 SPRING LOCK WASHER
20	49227K	1	CARTRIDGE 20 W/JAM NUT	59	66597	3	1/4-20X2-1/2 HEX CAP SCREW G5
22	49229K	2	CARTRIDGE 40 W/JAM NUT	60	21500	1	MOTOR ASSY 4-1/2" (See next page for motor service parts)
23	66783K	1	CARTRIDGE 43 W/JAM NUT	65	21830	1	RESERVOIR KIT MVP
25	49230K	6	COIL W/SPADE TERMINALS	67	92079	1	PLUG 3/8 NPTF
30	56763	1	COVER ASSY V-PLOW 4-4-2	68	92095	1	PLUG 1/4 NPTF HX SO THREAD SEAL
32	66771-1	1	SECONDARY VALVE MANIFOLD ASSY W/ CARTRIDGES, COILS, COVERS	69	73897	1	MAGNET
33	66772-1	1	SECONDARY MANIFOLD ASSY W/O CARTRIDGES, COILS, COVERS	70	21501	1	HYD PUMP KIT - FS
36	49228K	2	CARTRIDGE 30 W/JAM NUT	71	-	1	RETAINER CLIP
38	66620	1	COVER ASSY V-PLOW 3-3	72	66763	1	INLET FITTING / FILTER KIT
39	66621	1	COVER ASSY V-PLOW 4 WAY	73	28479	1	INLET FITTING KIT
45	25622	1	O-RING -006	74	56416	1	O-RING -014
46	55371	5	O-RING -008, 90 DUROMETER (black)	76	56789	1	SUCTION FILTER
47	25731	9	O-RING -010	77	90073	5	5/16-18X2-1/4 HEX CAP SCREW G5
48	66627	4	O-RING -011 (CHECK VALVES STAMPED V4 AND LOWER)	80	56580	6	SCREW, STANDOFF ZYC
	25730	4	O-RING -012 (CHECK VALVES STAMPED V5 AND HIGHER)	81	21726	1	ELBOW
49	56274	1	O-RING -013	82	21727-2	1	BREATHER, PRESSURE CONTROL
				NS	49258	1	SEAL KIT - CARTRIDGE 20
				NS	49259	1	SEAL KIT - CARTRIDGE 30, 31, 33, 40, 43
				NS	56657	1	O-RING AND BACK-UP RING KIT - SOL (See page 6)

For a list of abbreviations, see page 4.

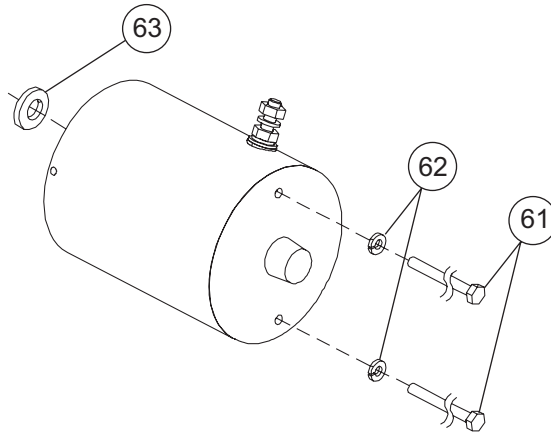
Parts furnished in the hydraulics box and installed on the vehicle are shown in the mount box instructions.

MVP® SNOWPLOW ASSEMBLY PARTS LIST

HYDRAULICS BOX NO. 56777

Motor Manufacturer Identification and Service Parts

Photo shows terminal position and end cap for brand identification.
 (Motor shown with flange. Flange is not used in MVP applications.)



PRESTOLITE 2 TERMINAL			
Item	Part	Qty	Description
61	56621	1	THRU-BOLT KIT - PRESTOLITE 2 TERMINAL (Includes cap screws and special washers)
63	56641	1	THRUST WASHER KIT - PRESTOLITE 2 TERMINAL
NS	56638	1	END CAP W/ O-RING - PRESTOLITE 2 TERMINAL
NS	56622	1	BRUSH KIT - PRESTOLITE 2 TERMINAL

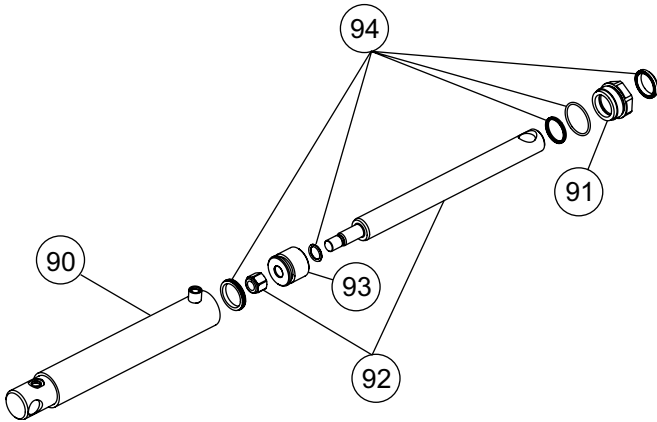
BOSCH 2 TERMINAL			
Item	Part	Qty	Description
61	21508	2	1/4-20X6-1/4 HEX CAP SCREW G5
62	91201	2	1/4 SPRING LOCK WASHER
63	21535	1	WASHER, FIBER THRUST 5/8 (drive end)
NS	56620	1	BRUSH KIT - BOSCH 2 TERMINAL

For a list of abbreviations, see page 4.

MVP® SNOWPLOW ASSEMBLY PARTS LIST

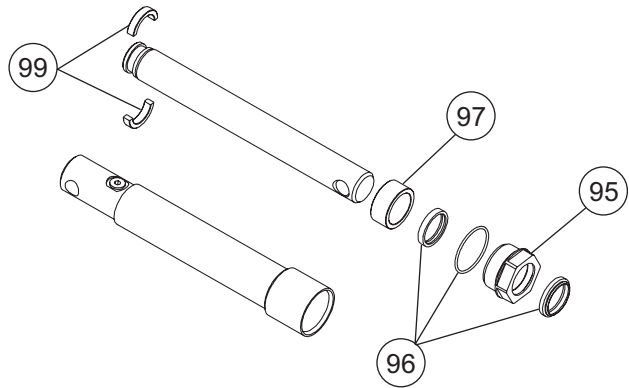
HYDRAULICS BOX NO. 56777

Angle Ram Diagram and Parts List



56750 – RAM ASSEMBLY 2 X 11 DA			
Item	Part	Qty	Description
90	56749	1	CYLINDER ASSY, 2 X 11 DA
91	56555	1	GLAND NUT POLYPAC SEAL
92	56797	1	ROD KIT, 2 X11 DA RAM
93	56677	1	SEAL KIT W/PISTON 2" DA
94	56669	1	SEAL KIT 2" DA RAM

Lift Ram Diagram and Parts List



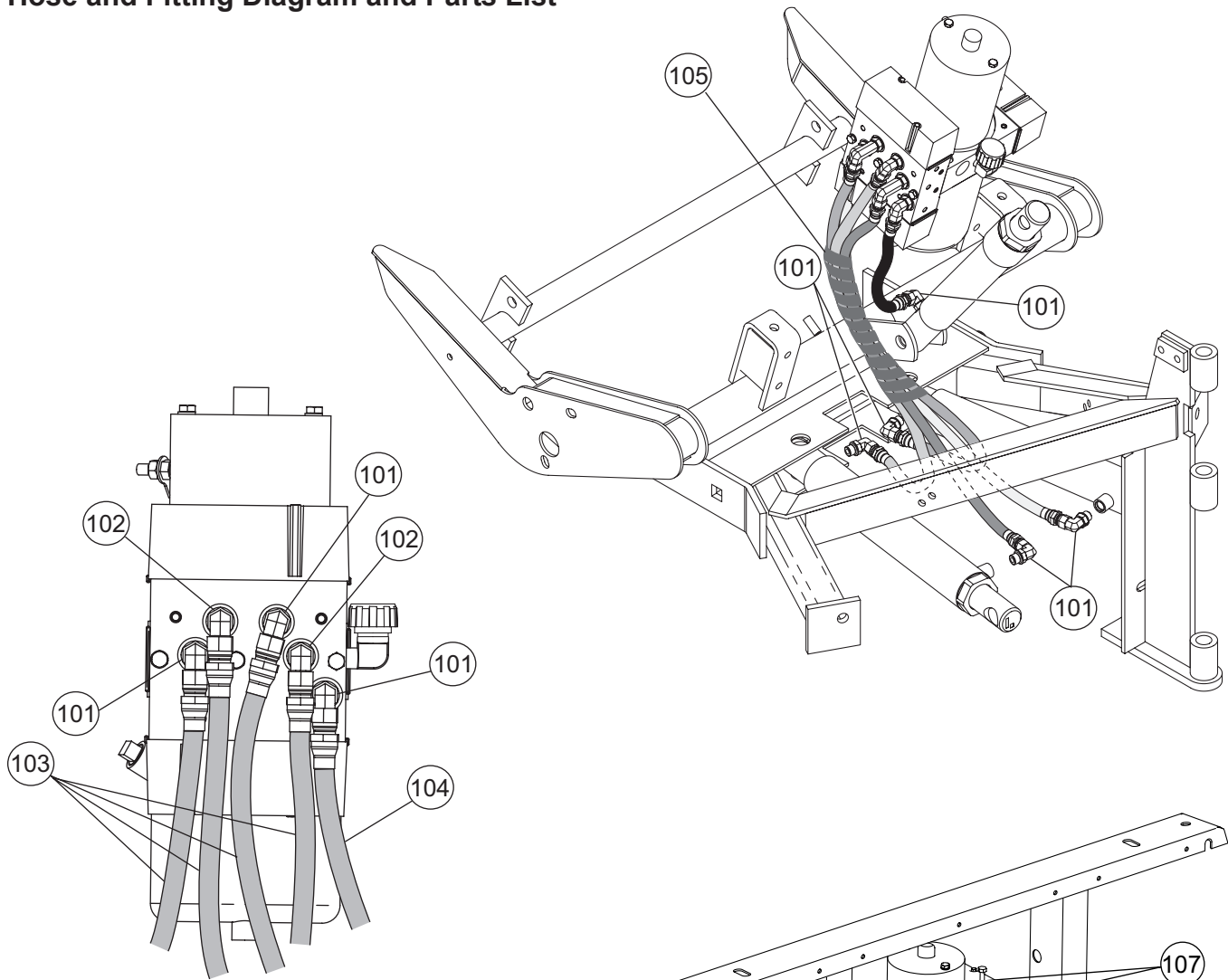
56538K – RAM ASSEMBLY 1-1/2 X 8"			
Item	Part	Qty	Description
95	56555	1	GLAND NUT POLYPAC SEAL
96	56556	1	SEAL KIT W/POLYPAC SEAL
97	56537	1	SPACER
99	62290	2	SPLIT BEARING 1-1/2"

ABBREVIATIONS					
ASSY	Assembly	HX	Hex	SOL	Solenoid
CU	Curb Side	HYD	Hydraulic	STD	Standard
DA	Double-Acting	JIC	Joint Industry Conference	TY	Type
DEG	Degree	LG	Long	V	MVP
DR	Driver Side	M	Metric	W/	With
DS	Driver Side	NPT	National Pipe Thread	W/O	Without
F	Female	NPTF	National Pipe Thread (Fluid)	ZP	Zinc Plate
FS	FloStat® Hydraulic System	NS	Not Shown	ZYC	Zinc Yellow Chromate
G	Grade	PC	Printed Circuit		
HD	Heavy Duty	PS	Passenger Side		

MVP® SNOWPLOW ASSEMBLY PARTS LIST

HYDRAULICS BOX NO. 56777

Hose and Fitting Diagram and Parts List



HOSE AND FITTING PARTS LIST			
Item	Part	Qty	Description
101	56615	8	ELBOW KIT, 90DEG-6 MO-RING/MJIC
102	64212	2	ELBOW KIT, LG 90DEG-6 MO-RING/MJIC
103	56616	4	HOSE KIT, 1/4X42 W/ FJIC ENDS
104	56617	1	HOSE KIT, 1/4X16 W/ FJIC ENDS
105	56823	1	HOSE WRAP, POLYETHYLENE 1" X 18"
106	90039	1	3/8-16X1 HEX CAP SCREW G5
107	90010	2	1/4-20X2-3/4 HEX CAP SCREW G5
108	91331	2	1/4-20 HEX LOCK NUT GB

*Item 106:
Do not use any washers.
Torque to 15-20 ft-lb.

For a list of abbreviations, see page 4.

**MVP® SNOWPLOW ASSEMBLY PARTS LIST
HYDRAULICS BOX NO. 56777**

Bolt Bag and O-Ring/Back-Up Ring Kit Parts Lists

56781 – BOLT BAG ASSEMBLY LARGE					
Part	Qty	Description	Part	Qty	Description
56615	8	ELBOW KIT, 90 DEG-6 M O-RING/M JIC	90010	2	1/4-20X2-3/4 HEX CAP SCREW G5
64212	2	ELBOW KIT, LONG 90 DEG, -6 M O-RING	90039	1	3/8-16X1 HEX CAP SCREW G5
56099	1	DIELECTRIC GREASE TUBE	56580	6	SCREW, STANDOFF ZYC
56558	2	1/2 FLAT WASHER SPECIAL	91331	2	1/4-20 HEX LOCK NUT GB
59223	8	CABLE TIE	21726	1	3/8 NPTFX90 STREET ELBOW BRASS
56595	7	ANCHOR, CABLE TIE	56782	1	BOLT BAG ASSEMBLY SMALL
56782 – BOLT BAG ASSEMBLY SMALL					
All parts in this bag are used in the vehicle electrical installation.					
Part	Qty	Description	Part	Qty	Description
90461	2	1/4-20X3/4 HEX CAP SCREW G5	56436	1	CONTROL BRACKET
90311	2	1/4 FLAT WASHER	80135	3	6-32X1 TAPPING SCREW
91202	2	5/16 SPRING LOCK WASHER	91230	3	6 SPRING LOCK WASHER
91242	2	10 SPRING LOCK WASHER	66767	1	PIN REMOVAL TOOL ASSY
91331	2	1/4-20 HEX LOCK NUT GB	66634	1	BRACKET V PLOW VEHICLE HARNESS
66130	2	RUBBER GROMMET	80134	4	6-32X1/4 TAPPING SCREW
59114	1	SELF STRIP WIRE CONNECTOR	91259	4	6 EXTERNAL LOCK WASHER
92842	2	5/16-24 HEX JAM NUT G5	93154	2	8-18X5/8 TAPPING SCREW
91402	2	10-32 HEX MACHINE SCREW NUT			
56657 – O-RING AND BACK-UP RING KIT - SOL					
Universal kit - not all contents are used in MVP® application.					
Part	Qty	Description	Part	Qty	Description
25622	1	O-RING -006	25620	1	O-RING -115
55371	5	O-RING -008, 90 DUROMETER (black)	25618	1	O-RING -216
56776	4	O-RING -008, RED, 70 DUROMETER	66028	1	O-RING -226
25731	9	O-RING -010	26784	4	O-RING -903
66627	4	O-RING -011	56569	4	O-RING -906
25730	6	O-RING -012	66519	1	O-RING 2-250
56274	1	O-RING -013	56315	1	BACK-UP RING -006
56416	1	O-RING -014	66628	4	BACK-UP RING -008

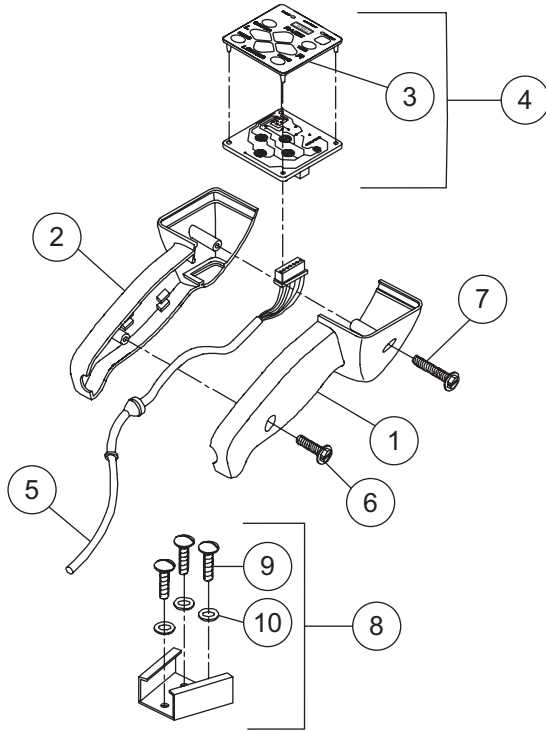
For a list of abbreviations, see page 4.

MVP® SNOWPLOW ASSEMBLY PARTS LIST

HYDRAULICS BOX NO. 56777

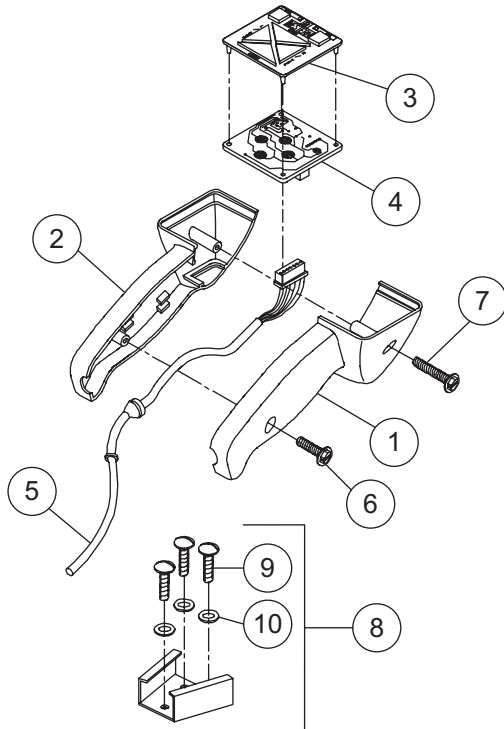
Cab Control Diagrams and Parts Lists

MVP® CabCommand Hand-Held Control Kit (9 Button)



96462 MVP® CabCommand HAND-HELD CONTROL KIT (9 BUTTON)			
ITEM	PART	QTY	DESCRIPTION
1	96456	1	CONTROL BODY - RIGHT
2	96457	1	CONTROL BODY - LEFT
3	96461	1	KEYPAD ASSY (MVP) 9 BUTTON
4	96460	1	PC BOARD & KEYPAD (MVP), SERVICE 9 BUTTON
5	96454	1	HARNES, V-PLOW 9 BUTTON CPC CONNECTOR
6	93173	1	8-18 x 3/4 TAPPING SCREW
7	93174	1	8-18 x 1-1/4 TAPPING SCREW
8	64312	1	PARTS BAG - CONTROL BRACKET
9		3	6-32 x 1 TAPPING SCREW
10		3	6 SPRING LOCK WASHER
NS	69190	-	FUSE KIT, V-PLOW (PKG OF 5)
NS = Not Shown			

MVP® CabCommand Hand-Held Control Kit (6 Button)



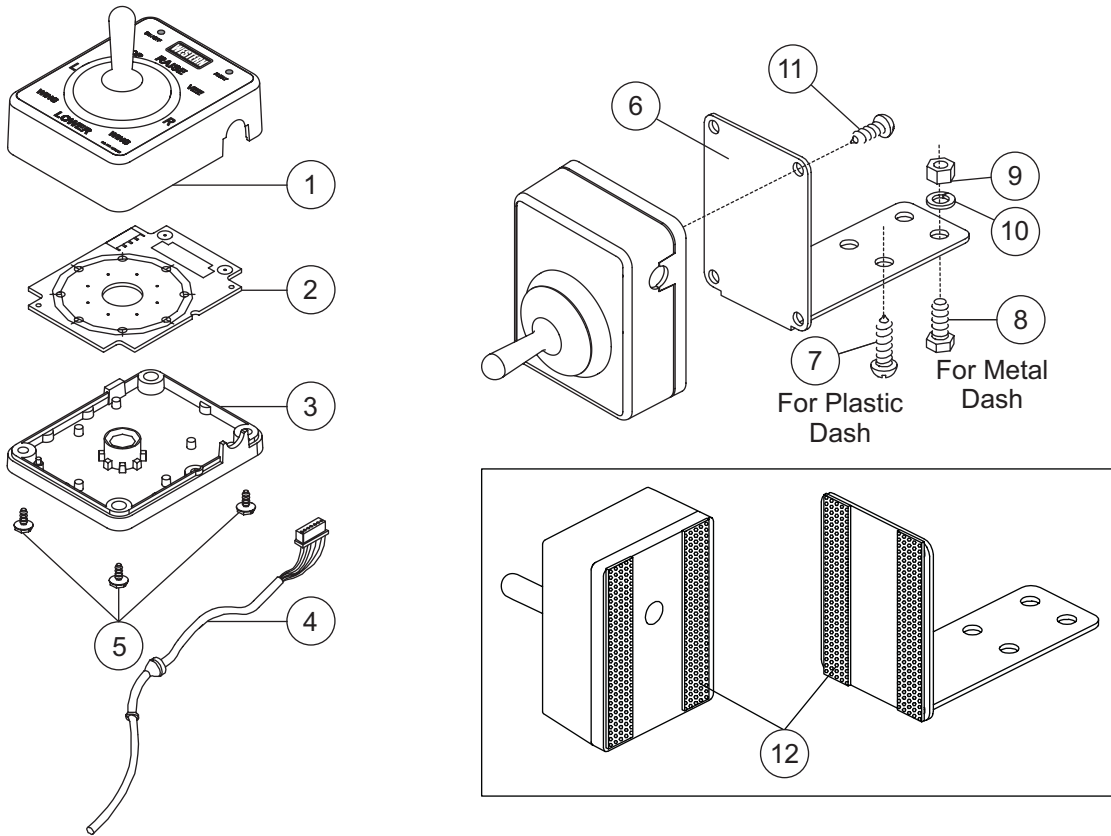
64294 MVP® CabCommand HAND-HELD CONTROL KIT (6 BUTTON)			
ITEM	PART	QTY	DESCRIPTION
1	96456	1	CONTROL BODY - RIGHT
2	96457	1	CONTROL BODY - LEFT
3	66792	1	KEYPAD ASSY (MVP) 6 BUTTON
4	66793	1	PC BOARD ASSY (MVP), SERVICE 6 BUTTON (NO KEYPAD)
5	66633	1	HARNES, V-PLOW COIL CORD 6 BUTTON
6	93173	1	8-18 x 3/4 TAPPING SCREW
7	93174	1	8-18 x 1-1/4 TAPPING SCREW
8	64312	1	PARTS BAG - CONTROL BRACKET
9		3	6-32 x 1 TAPPING SCREW
10		3	6 SPRING LOCK WASHER
NS	69190	-	FUSE KIT, V-PLOW (PKG OF 5)
NS = Not Shown			

For a list of abbreviations, see page 4.

MVP® SNOWPLOW ASSEMBLY PARTS LIST

HYDRAULICS BOX NO. 56777

MVP® Joystick Control Kit



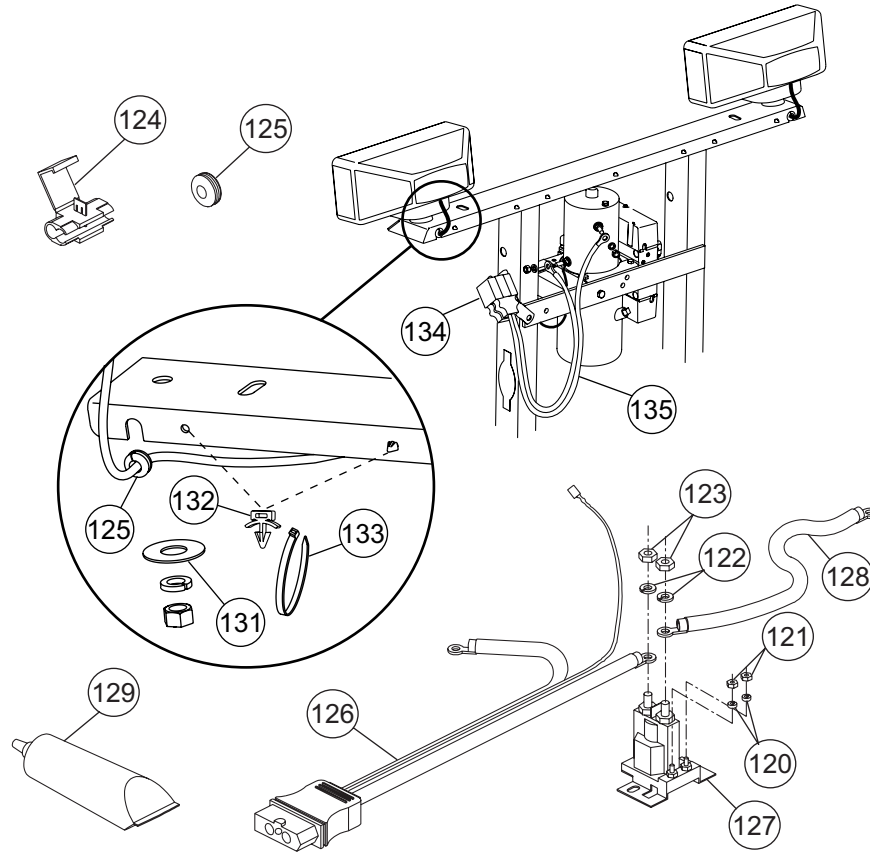
96369 MVP® JOYSTICK CONTROL KIT						
ITEM	PART	QTY	DESCRIPTION	ITEM	PART	QTY DESCRIPTION
1	96368	1	COVER ASSY, JOYSTICK MVP w/ ACTUATOR, SPRING & LABEL	5	96364	3 4 x 3/8 TAPPING SCREW
2	96367	1	PC BOARD, JOYSTICK V-PLOW	NS	96363	1 DASH BRACKET PARTS BAG
3	96366	1	BOTTOM HOUSING, JOYSTICK	NS	69190	- FUSE KIT, V-PLOW (PKG OF 5)
4	96365	1	HARNESS, JOYSTICK V-PLOW CPC CONNECTOR			
96363 DASH BRACKET PARTS BAG						
6		1	CONTROL BRACKET	10		2 1/4 SPRING LOCK WASHER
7		4	12-14 x 3/4 TAPPING SCREW	11		2 8-18 x 5/8 TAPPING SCREW
8		2	1/4-20 x 3/4 HEX CAP SCREW G5	12	49305K	1 PRO-GRIP MOUNT KIT
9		2	1/4-20 HEX NUT G5			
NS = Not Shown						

For a list of abbreviations, see page 4.

MVP® SNOWPLOW ASSEMBLY PARTS LIST

HYDRAULICS BOX NO. 56777

Electrical Diagram and Parts List



ELECTRICAL COMPONENTS

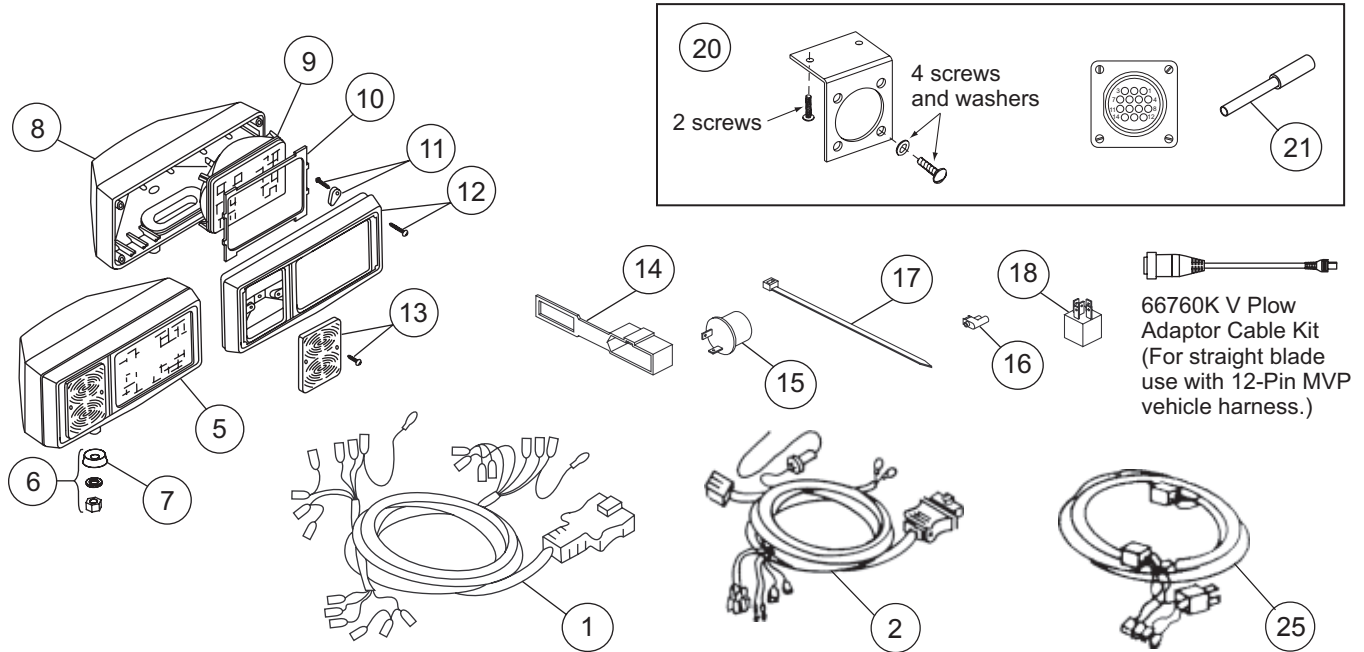
Item	Part	Qty	Description	Item	Part	Qty	Description
120	91242	2	10 SPRING LOCK WASHER	129	49326	1	WESTERN DIELECTRIC GREASE TUBE 2 oz.
121	91402	2	10-32 HEX MACHINE SCREW	131	56558	2	1/2 FLAT WASHER SPECIAL
122	91202	2	5/16 SPRING LOCK WASHER	132	56595	7	ANCHOR, CABLE TIE
123	92842	2	5/16 HEX JAM NUT G5	133	59223	16	CABLE TIE
124	59114	1	SELF STRIP WIRE CONNECTOR	134	61246	1	CABLE BOOT
125	66130	3	RUBBER GROMMET	135	66624	1	PLOW CABLE ASSY
126	66623	1	VEHICLE CABLE ASSEMBLY	NS	69190	1	FUSE KIT V PLOW PKG OF 5
127	56131K	1	MOTOR RELAY KIT	NS	90656	2	10 FLAT WASHER
128	22511	1	BATTERY CABLE 22" RED	NS	90461	2	1/4-20-X3/4 HEX CAP SCREW G5
	20681	1	50" BATTERY CABLE	NS	90311	2	1/4 FLAT WASHER
129	56099	1	DIELECTRIC GREASE TUBE .25 oz. SIZE	NS	91331	2	1/4-20 HEX LOCK NUT GB

For a list of abbreviations, see page 4.

MVP® SNOWPLOW ASSEMBLY PARTS LIST

HEADLAMP KIT NO. 66640-2

Headlamp Kit Diagram and Parts List



66640-2 – HEADLAMP KIT							
Item	Part	Qty	Description	Item	Part	Qty	Description
1**	66611-1	1	PLOW HARNESS 12-PIN V	13	49202	1	PARK/TURN LENS W/FASTENERS
2**	66610	1	VEHICLE HARNESS KIT 12-PIN	NS	49262	1	PARK/TURN REPLACEMENT SOCKET
NS	61543	1	HEADLAMP PAIR (W/O Plow Harness)	*		4	PARK/TURN SIGNAL BULB (Trade Number 1157)
NS	61541	1	HEADLAMP DR	14	61548K	2	PLUG COVER KIT
5	61542	1	HEADLAMP CU	15	60109	1	FLASHER HD
6	49151	1	SWIVEL AND HARDWARE ASSY	16	59224	3	BULLET RECEPTACLE CONNECTOR
7	49012	1	HEADLAMP SWIVEL	17	59223	8	CABLE TIE
8	49298	1	HEADLAMP HOUSING ASSY (Fits DS or PS)	18	61535K	2	RELAY KIT
9	49297	1	REPLACEMENT SEALED BEAM (2E1)	20	56496	1	V-PLOW CONNECTOR BAGGED ASSEMBLY
10	49210	1	HEADLAMP GASKETS (1 Pair)	21	66767	1	PIN REMOVAL TOOL ASSY
11	49201	1	RETAINING FINGER & FASTENER (4 each)	NS	22123	1	SIGNAL CONTACT, PACKAGE OF 10
12	49203	1	BEZEL W/FASTENERS (Fits DS or PS)				

PLUG-IN HARNESS PARTS LIST							
Items listed below must be ordered separately according to vehicle application.							
Item	Part	Qty	Description	Item	Part	Qty	Description
25	26009	1	PLUG-IN HARNESS HB-1(9004) -F	25	61591	1	PLUG-IN HARNESS HB-5 -A
	26027	1	PLUG-IN HARNESS HB-5/HB-1 -F		61716	1	PLUG-IN HARNESS HB-3 & HB-4 -A
	26071	1	PLUG-IN HARNESS HB-3&4 -F		62526	1	PLUG-IN HARNESS HB-1(9004) -C
	61546	1	PLUG-IN HARNESS 2B/2D		22241	1	PLUG-IN HARNESS KIT 1A & 2A -C
	61571	1	PLUG-IN HARNESS HB-1(9004) -A		62511	1	PLUG-IN HARNESS 2B/2D LG -A
	61581	1	PLUG-IN HARNESS LF & UF -A		63413	1	PLUG-IN HARNESS HB-5 -G

*Not a service part.

**Vehicles with three connectors at the grille/bumper, see vehicle specific parts list. For a list of abbreviations, see page 4.



WESTERN PRODUCTS
P.O. BOX 245038
MILWAUKEE, WI 53224-9538

 A DIVISION OF DOUGLAS DYNAMICS, L.L.C.

Copyright © 2004 Douglas Dynamics, L.L.C. All rights reserved. This material may not be reproduced or copied, in whole or in part, in any printed, mechanical, electronic, film or other distribution and storage media, without the written consent of Western Products. Authorization to photocopy items for internal or personal use by Western Products outlets or snowplow owner is granted.

Western Products reserves the right under its product improvement policy to change construction or design details and furnish equipment when so altered without reference to illustrations or specifications used. Western Products and the vehicle manufacturer may require and/or recommend optional equipment for snow removal. Do not exceed vehicle ratings with a snowplow. Western Products offers a limited warranty on all snowplows and accessories. See separately printed page for this important information. The following are registered (®) trademarks of Douglas Dynamics, L.L.C.: FloStat®, MVP®, UltraMount®, and WESTERN®.