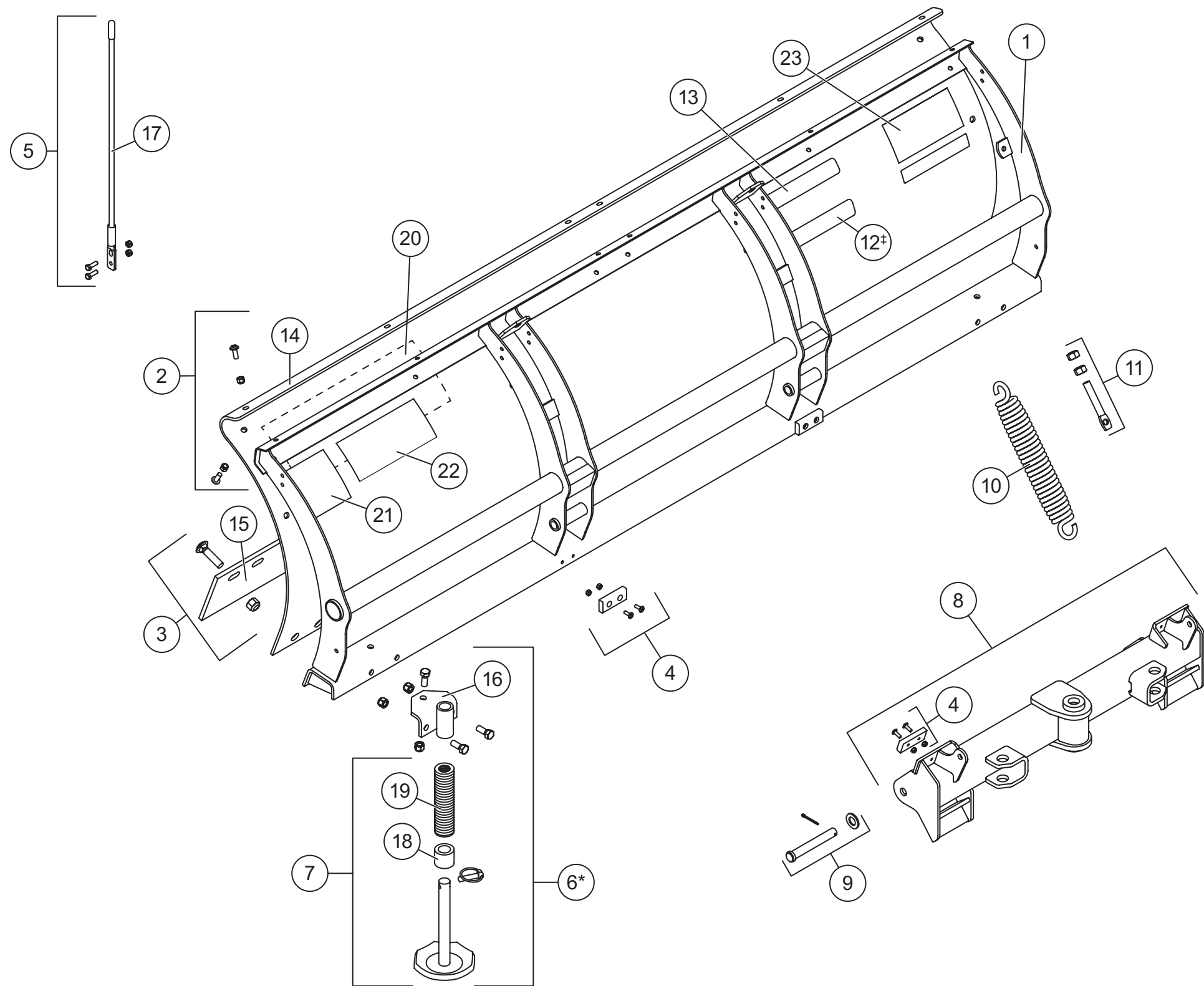


BLADE COMPONENTS



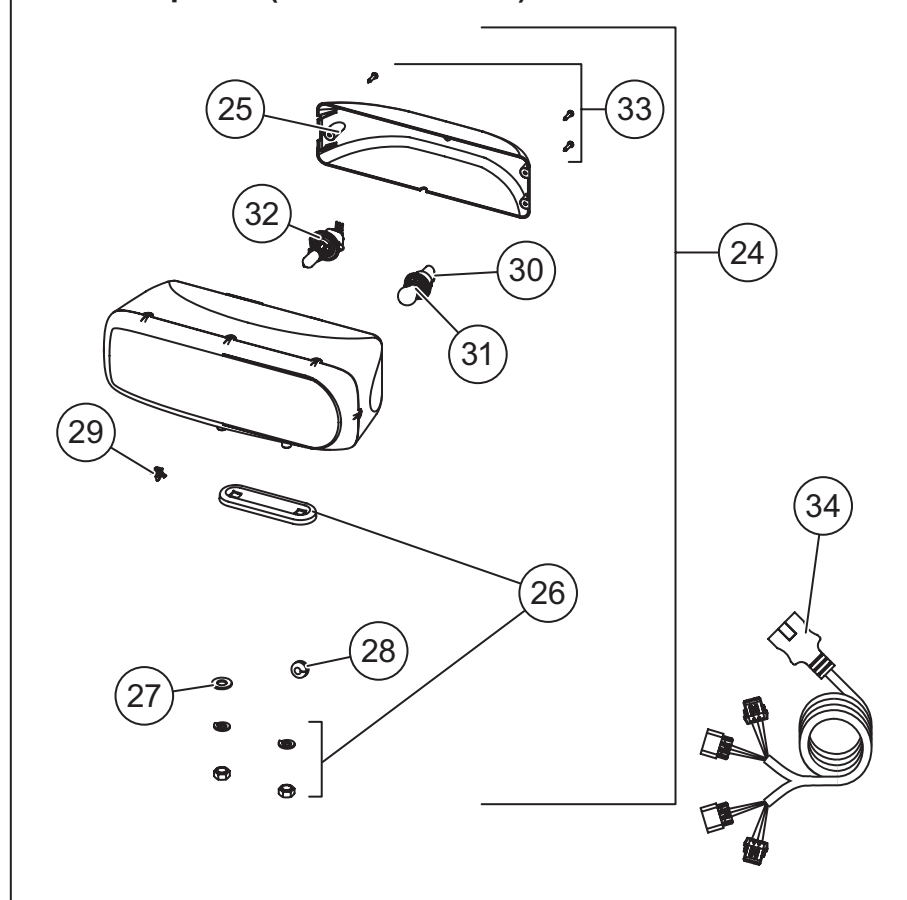
MIDWEIGHT™ Blade Assembly 74330 / 74340

Item	Part	Description	Item	Part	Description
1*	64333	Blade Frame, 7.5' Poly	10	23039	Trip Spring
2†	28597	7"6" Poly Moldboard Kit w/Fasteners	11	66421	5/8-11 x 4 Eyebolt w/Nuts Kit
ns‡	64360	Blade, 7"6" Steel	12‡	28404	Label – Logo, ULTRAFINISH™
3	28594	7"6" Cutting Edge Kit w/Fasteners	13	28598	Label – Logo, MIDWEIGHT
4	63976	Push Stop Kit	14†	-	Moldboard – 7"6" Poly
5	62265	Blade Guide Kit	15	64760	7"6" Cutting Edge
6*	64392	Shoe Kit	16	64388	Shoe Bracket
7	49067	Disc Shoe Assembly	17	62263	Blade Guide, Poly
8	49531	Quadrant, MIDWEIGHT	18	60045	Spacer
9	28593	3/4 x 5-3/8 Clevis Pin	19	91192	Round Flat Washer, Special
43362 Blade Label Kit – UltraMount® 2					
20	69489	Label – Logo, WESTERN®	22	43360	Label – Attach/Detach, UltraMount 2
21	59900	Label – Warning/Caution, Snowplow	23	44451	Label – Logo, WESTERN 8.31"

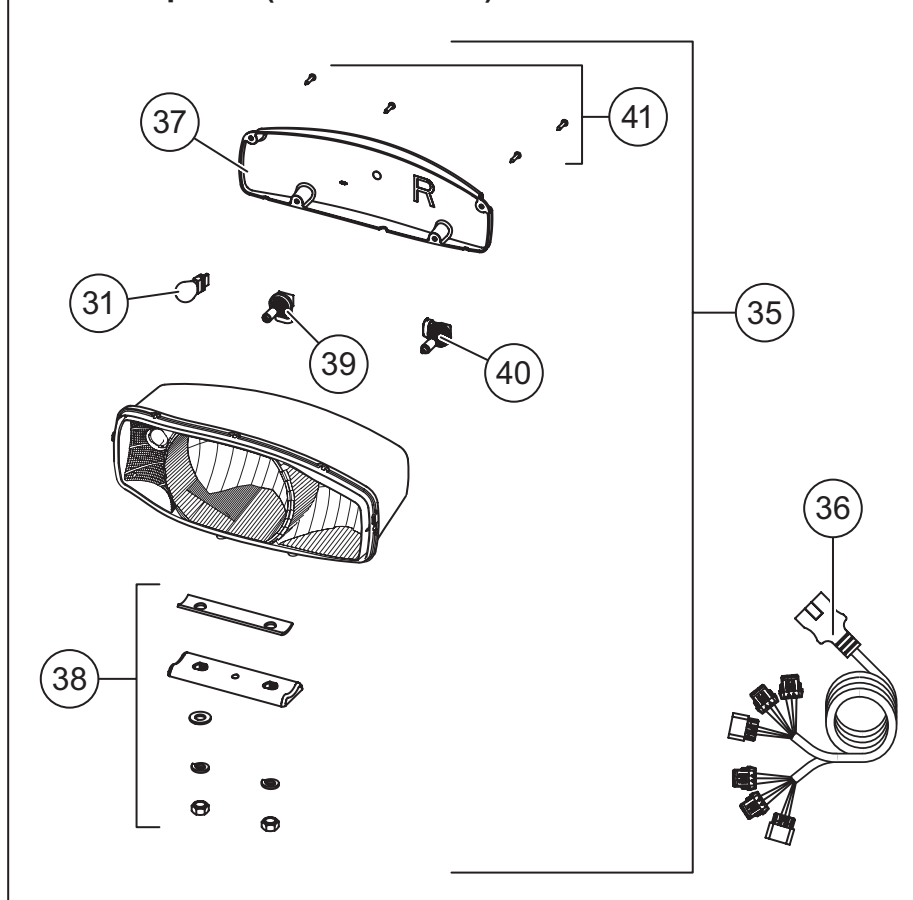
* Accessory only. † Poly blades only. ‡ Steel blades only. ns = not shown

HEADLAMPS

Headlamp Kits (2016 and earlier)



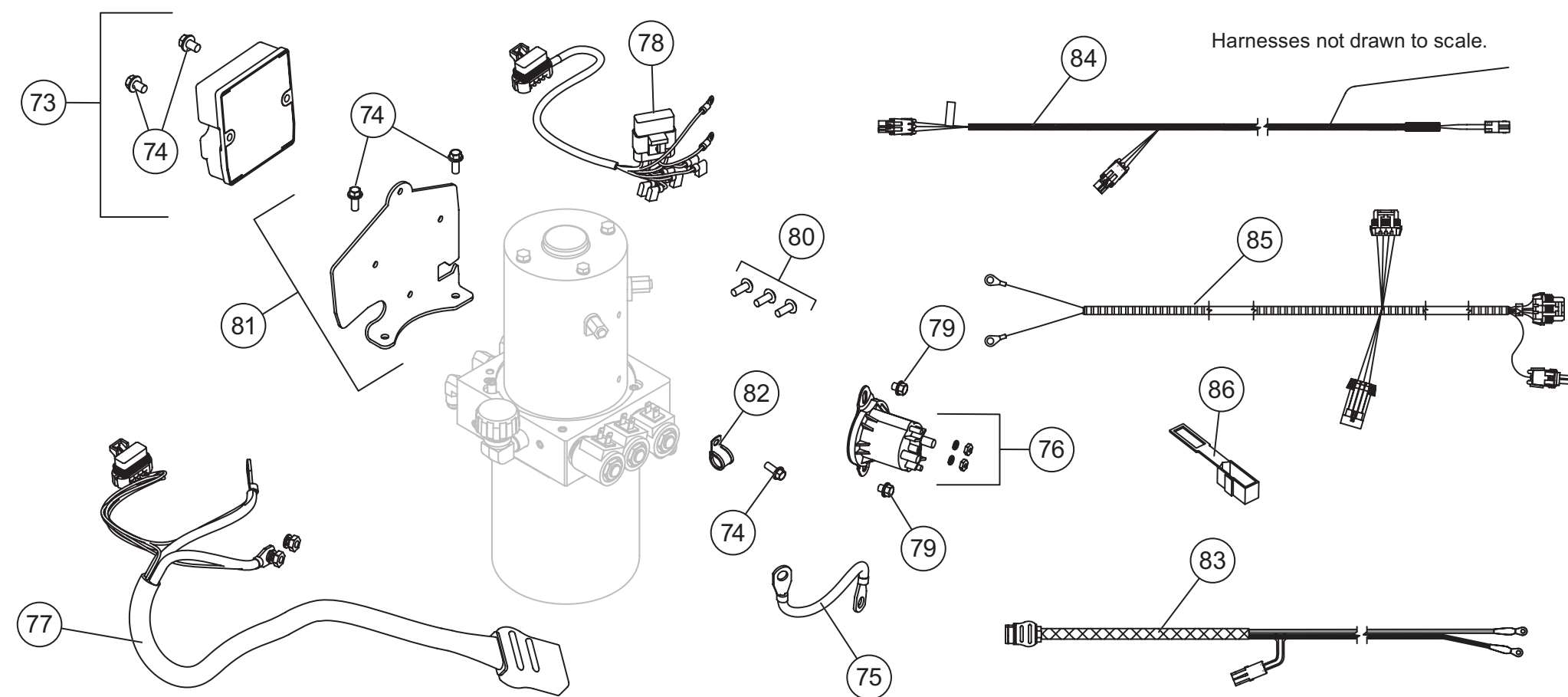
Headlamp Kits (2017 and later)



Item	Part	Description	Item	Part	Description
24	28801-1	Headlamp Service Kit H13 – DS	34	28213W	Harness Service Kit H13
ns	28802-1	Headlamp Service Kit H13 – PS	35	38802	Headlamp Service Kit H9/H11 – PS
25	28803-1	Rear Cover Kit (fits 2- or 3-screw)	ns	38801	Headlamp Service Kit H9/H11 – DS
26	28804	Mounting Hardware Kit	36	38807	Harness Service Kit H9/H11
27	91105	1/2" Flat Washer	37	38803	Rear Cover Kit H9/H11 – PS
28	66130	Rubber Grommet	ns	38812	Rear Cover Kit H9/H11 – DS
29	56595	Cable Tie Anchor	38	38804	Mounting Hardware Kit H9/H11
30	28805	Park/Turn Socket Service Kit	39	38811	H11 Headlamp Bulb Service Kit
31	-	Park/Turn Bulb (trade no. 4157NAK)	40	38809	H9 Headlamp Bulb Service Kit
32	28806	H13 Headlamp Bulb Service Kit	41	38808	Cover Screws Service Kit H9/H11 (pkg of 4)
33	28808-1	Cover Screws Service Kit (pkg of 3)			

ns = not shown

ELECTRICAL COMPONENTS



Item	Part	Description	Item	Part	Description
73	49567	Plow Module, 2-Port	81	42287	Bracket – Plow Module
74	44355	1/4-20 x 5/8 Hex Washer-Head Thread-Rolling Screw	82	65340	Clamp Loop #10
75	29071	Cable Assembly 8"	83	28587	Vehicle Control Harness
76	42902	Motor Relay Kit FLEET FLEX	84	72527	Vehicle Battery Cable
77	42015	Snowplow Battery Cable	85	26498	Vehicle Control Harness – Central Hydraulics
78	28581-1	Harness, Plow Control, 3-Solenoid	86	61548K	Plug Cover Kit
79	29099	1/4-20 x 1/4 Hex Washer-Head Thread-Rolling Screw	ns	56099	Dielectric Grease
80	98043	3/8-16 x 1 Button Cap Screw			

ns = not shown

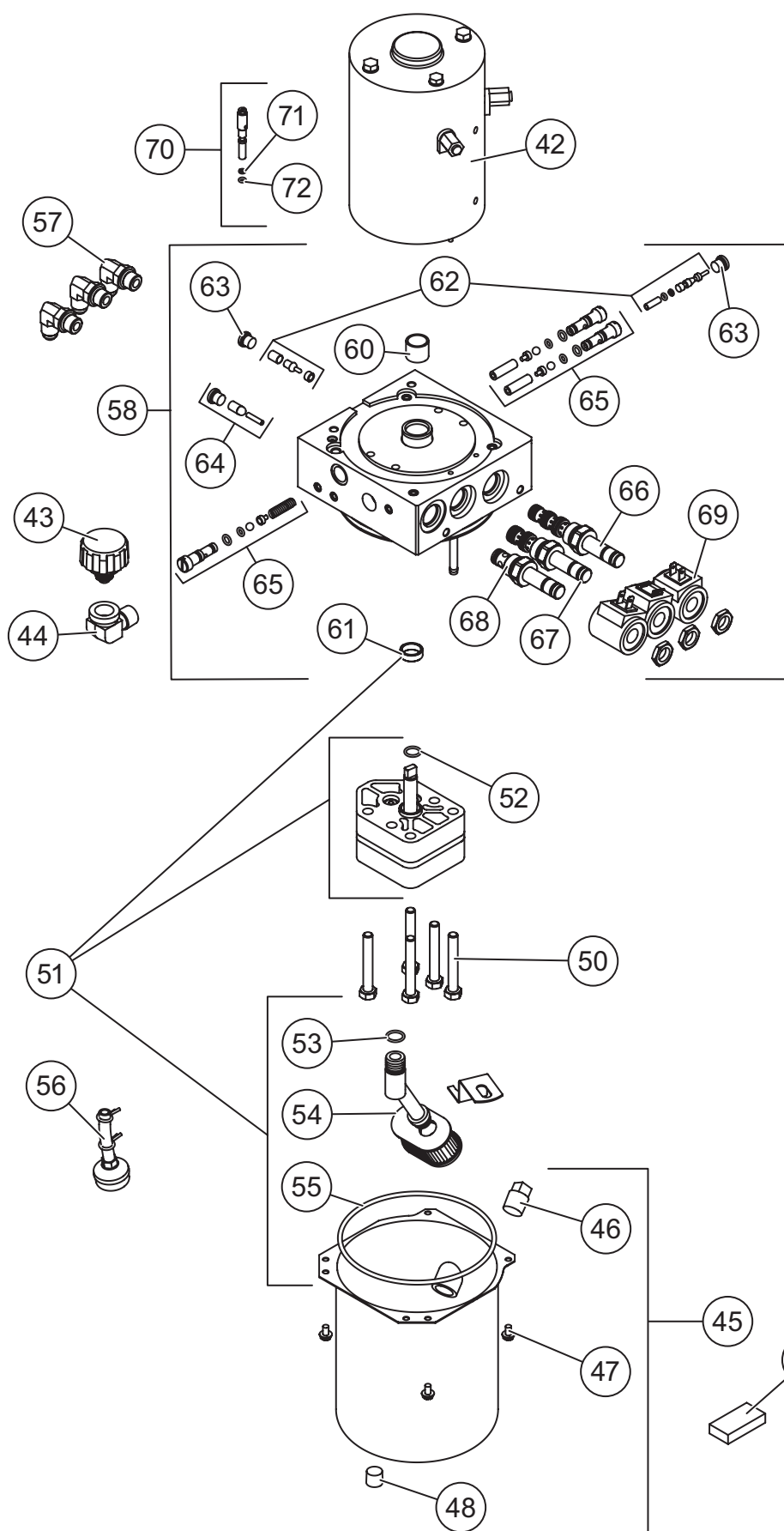


MIDWEIGHT™ SNOWPLOW



INTERACTIVE PARTS LIST AVAILABLE AT WWW.WESTERNPLOWS.COM
Full parts list PDF (Lit. No. 94111) also available on website.

HYDRAULIC UNIT



Hydraulic Unit 42345-1
Hydraulic Unit Service Kit 42348-1*

Item	Part	Description
42	21500-1	Motor, 4-1/2"
43	21727-2K	Breather Pressure Control
44	21726K	Elbow, Street, 90° 3/8 M NPTF/ 3/8 F NPTF
45**	21830	Reservoir Kit
46	92079	Square Plug 3/8 NPTF
47	66607	#10-24 x 5/16 Slotted Hex Washer-Head Machine Screw
48	92095	Hex Socket Plug 1/4 NPTF w/Thread Sealant
49	73897	Magnet
50	90073	5/16-18 x 2-1/4 Hex Cap Screw
51	21501-1	Hydraulic Pump Kit
52	56274	O-Ring -013
53	56416	O-Ring -014
54	56789-5	Suction Filter
55	66519	O-Ring 2-250
56	66405	Return Screen Assembly
57	56615-1	Elbow 90° –6 M JIC/–6 M ORB
58	42345-1	Manifold Assembly (includes item 70)
59	42347-2	Valve Manifold Assembly (includes item 70)
60**	64596-1	Sleeve Bearing & Shaft Seal Kit (includes item 61)
61†	66515	Pump Shaft Seal
62	49226K	Poppet Check Valve Kit
63	92960	Plug, Hex Socket –3 M ORB
64	56507	Bypass Check Valve Kit
65	49138K-5	Relief Valve Kit (2 sets)
66	49229K-1	Cartridge Valve, 4-Way w/Nut
67	66608-1	Cartridge Valve 3-Way w/Nut
68	49227K-2	Valve, 2-Way w/Nut
69	49230K-2	Coil w/Spades
70	56662	Quill Assembly
71	56315	Back-Up Ring -006
72	25622	O-Ring -006

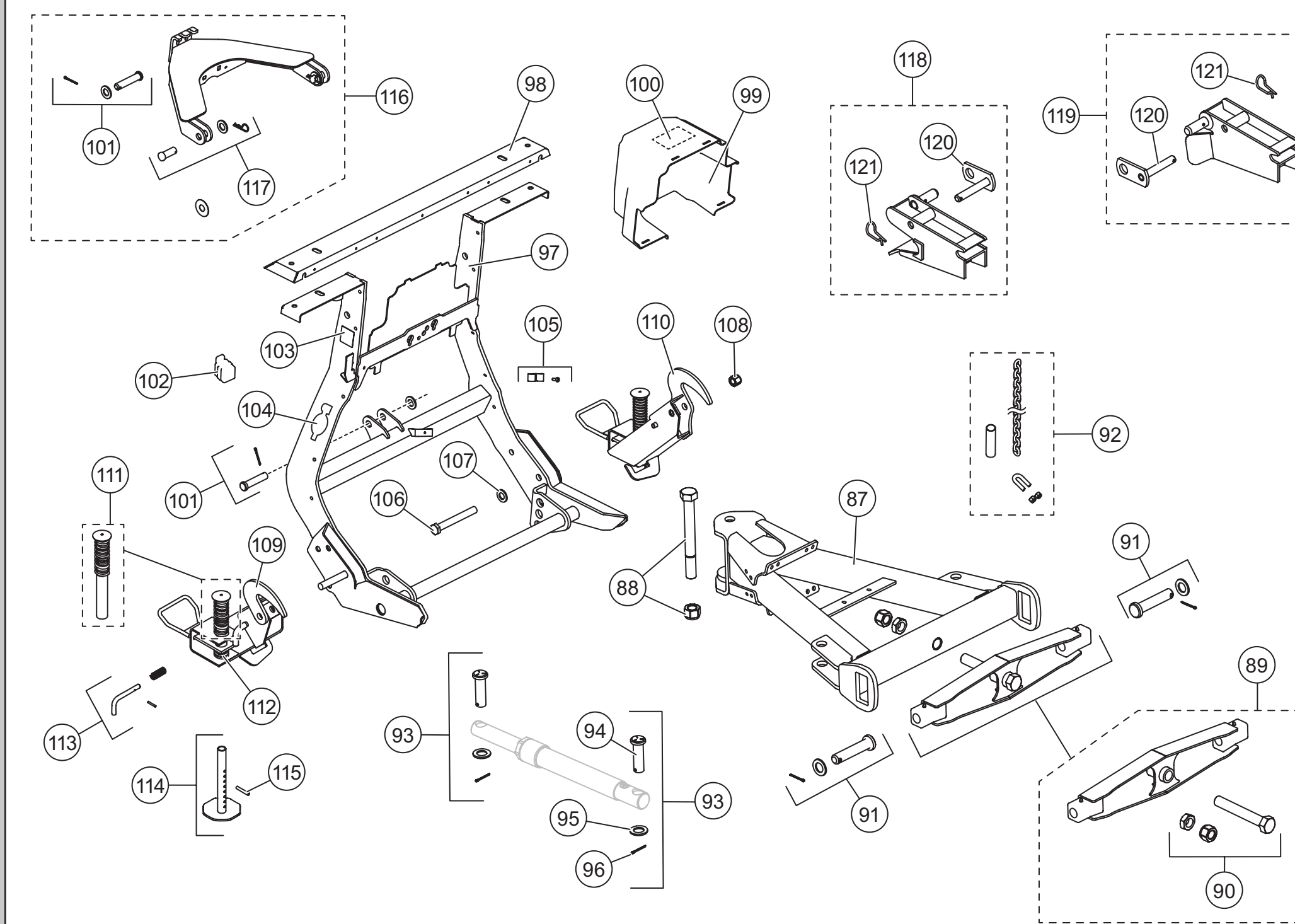
O-Ring Service Kits

ns	56657-6	O-Ring & Back-Up Ring Kit
ns	49258-2	Seal Kit, 2-Way Valve
ns	49259-2	Seal Kit, 3-Way and 4-Way Valve

* Includes 42345-1 Hydraulic Unit and plow-side electrical components
** Use 64599 tool for bearing sleeve replacement (includes 1 bearing)
† Use 28856 tool for pump shaft seal replacement (includes 1 seal)

ns = not shown F = Female M = Male

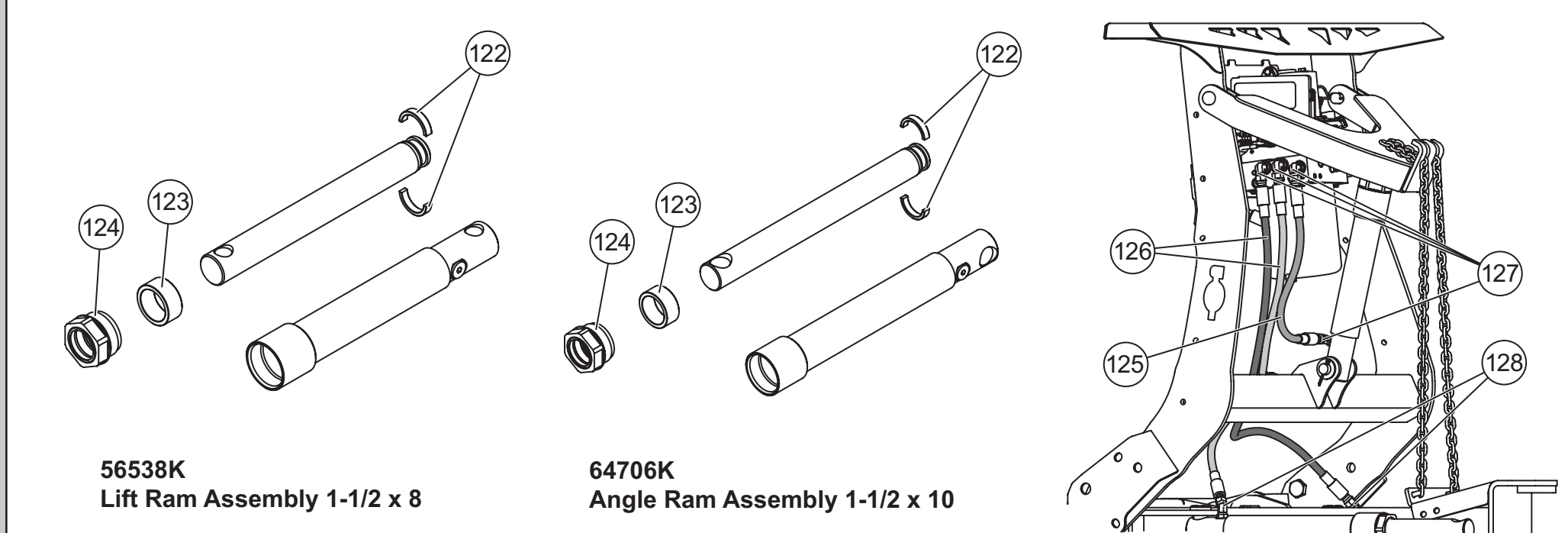
LIFT FRAME & A-FRAME



Item	Part	Description	Item	Part	Description
87	68291	A-Frame	105	49479-1	Hose Bracket Kit
88	69494	Nose Plate Bolt Kit	106	66451	3/4-10 x 6 Hex Cap Screw G5
89	67842-1	Pivot Bar Kit	107	91147	3/4 Flat Washer
90	67855	Pivot Bolt Kit	108	91338	3/4-10 Hex Locknut GB
91	49645	Pivot Bar Pin Kit	109	72618	Stand Assembly – DS
92	49033	1/4 Grade 43 Chain Assembly	110	72617	Stand Assembly – PS
93	63973	Ram Pin Kit	111	48523	Stand Plunger Assembly (item 112 not included)
94	93074	1 x 3-1/4 Clevis Pin	112	67636	Stand Lock Spring
95	91192	Round Flat Washer, Special	113	67844	Stand Lock Pin Kit
96	91911K	5/32 x 1-1/2 Cotter Pin Kit (pkg of 4)	114	67847	Stand Shoe Kit
97	78790	Lift Frame	115	67635	1/4 x 2 Roll Pin
98	43302	Light Channel	116	43304	Lift Arm Kit
99	68314-1	Hydraulic Unit Cover (includes item 100)	117	43351	3/4 x 2 Clevis Pin Kit
100	43353	Label – Information, Straight Blade Hydraulic	118	76722	Receiver Kit – DS
101	68740	3/4 x 3-1/2 Clevis Pin Kit	119	76718	Receiver Kit – PS
102	61246	Cable Boot	120	42498	Receiver Kit Pin
103	69689	Label – Logo, SECURITY GUARD™	121	91965K-1	5/32 x 3-1/2 Hairpin Cotter
104	43358	Label – Logo, UltraMount 2			

G = Grade

RAMS, HOSES & FITTINGS



Item	Part	Description	Item	Part	Description
122	64650	Split Bearing Kit 1-1/2"	126	49532	Hose, 3/8 x 36 w/F JIC Ends
123	56537	Spacer	127*	56615-1	Elbow, 90° –6 M JIC / –6 M ORB
124	48985	Gland Nut Assembly	128*	26694	Elbow, 45° –6 M JIC / –6 M ORB
125	41094	Hose, 1/4 x 18 w/F JIC Ends			

F = Female

M = Male