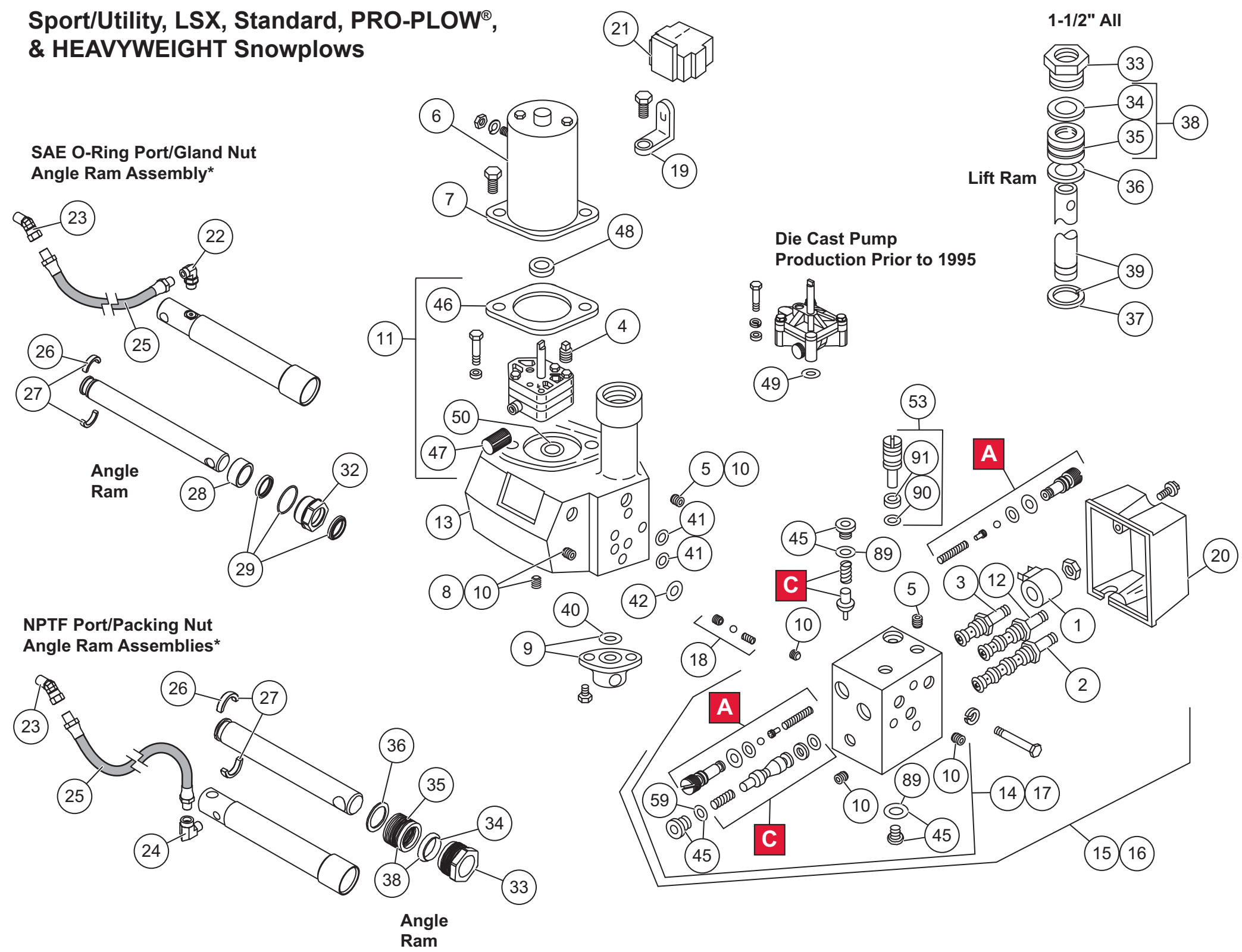


ISARMATIC® Mark III HYDRAULIC UNIT

Sport/Utility, LSX, Standard, PRO-PLOW®, & HEAVYWEIGHT Snowplows



Item	Part	Description	Item	Part	Description
1	49230K-2	Coil w/Spade Terminals	14	49224	Manifold Assembly w/o Cartridge SOL 3500
2	49229K-1	Cartridge 40 w/Jam Nut	15	49278	Valve Manifold Assembly SOL 2500
3	49227K-2	Cartridge 20 w/Jam Nut	16	49265	Valve Manifold Assembly SOL 3500
4	92079	Plug, Square 3/8 NPTF	17	49279	Manifold Assembly w/o Cartridge SOL 2500
5	92095	Plug, Hex Socket 1/4 NPTF w/Thread Sealant	18	49225	Inlet Check Valve
6	-	Motor Assembly, 4-1/2	19	56356	Boot Bracket Kit
7	49084	Motor Flange Bearing & Seal	20	56291	Cover Assembly
8	92072	Plug, Hex Socket 1/4 NPTF w/Fluid Level Plug	21	61246	Cable Boot
9	25968K	Base Lug w/#25618 O-Ring	22	56539K	Elbow, 90° - 6 M ORB/1/4 F NPTF
10	92071	Plug, Hex Socket 1/8 NPTF w/Thread Sealant	23	92190K	Union, F Adapter 45° 1/4 M NPTF/6 F NPSM
11	49211	Hydraulic Pump Kit	24	92210K	Elbow, 90° 1/4 M NPTF/1/4 F NPTF
12	49228K-1	Cartridge 30 w/Jam Nut	25	55020K	Hose, 1/4 x 38 w/NPTF Ends
13	49252	Service Housing Kit 1-1/2 SOL			

F = Female M = Male

RAMS

Part:	Lift Rams				Single-Acting Angle Rams				Double-Acting Angle Ram
	-	-	-	66722	62540	56538K	62550K	25878K	56709W
Fitting Type:	N/A	N/A	N/A	NPTF	NPTF	SAE	NPTF	NPTF	NPTF
Application:	ISARMATIC	Conventional ED	Conventional HD	MVP®	Sport/Utility	LSX	Standard & PRO-PLOW	HEAVYWEIGHT	MVP

Item	Description	Ram Size:	1-1/2 x 6	1-1/2 x 6	2 x 6	1-1/2 x 8	1-1/2 x 8	1-1/2 x 10	2 x 16	2 x 10
26	Split Bearing, 1-1/2		-	-	-	62290	62290	62290	-	-
27	Split Bearing Kit, 1-1/2		-	-	-	64650	64650	64650	-	-
28	Spacer		-	-	-	-	56537	-	-	-
29	Seal Kit w/PolyPak Seal, 1-1/2 Ram		-	-	-	-	48985	-	-	-
30	Seal Kit, 2" DA Ram (single groove)		-	-	-	-	-	-	-	49498
31	Seal Kit w/Piston, 2" DA Ram (2 groove)		-	-	-	-	-	-	-	49498
32	Gland Nut - PolyPak Seal		-	-	-	-	48985	-	-	48985
33	Packing Nut	25944K	25944K	25948	25944K	25944K	-	25944K	25948	-
34	Wiper Ring	55137	55137	55210	55137	55137	-	55137	55210	-
35	Packing Set	55136	55136	55209	55136	55136	-	55136	55209	-
36	Washer, Special	338	338	91174	338	338	-	338	91174	-
37	Retainer Ring	48415	48415	48413	-	48415	-	48415	-	-
38	Packing Set w/Wiper	25205K	25205K	25215	25205K	25205K	-	25205K	25215	-
39	Plunger Assembly	25202	25202	25212	-	-	-	-	-	-

ED = Extra Duty HD = Heavy Duty

49340 MAJOR OVERHAUL KIT

Item	Part	Qty	Description	Item	Part	Qty	Description
40	25618	1	O-Ring -216	50	56416	1	O-Ring -014
41	25730	6	O-Ring -012	51	90088	1	5/16-18 x 1/2 Hex Cap Screw
42	56274	1	O-Ring -013	52	91263	1	5/16 External Lock Washer
43	25731	9	O-Ring -010	53	56330	1	Quill Assembly
44	55371	5	O-Ring -008, 90 Durometer (black)	54	55137	1	Wiper Ring, 1-1/2
45	92960	3	3/8-24 Hex Socket Boss Plug -3 M ORB	55	55136	1	Packing Set, 1-1/2
46	25861K	1	Motor Gasket Kit	C	49226K	1	Poppet Check Valve Kit
47	56185K	1	Suction Filter	ns	49258-2	1	Seal Kit - Cartridge 20
48	49014	1	Oil Seal	ns	49259-2	2	Seal Kit - Cartridge 30, 31, 33, 40, and 43
49	25620	1	O-Ring -115				

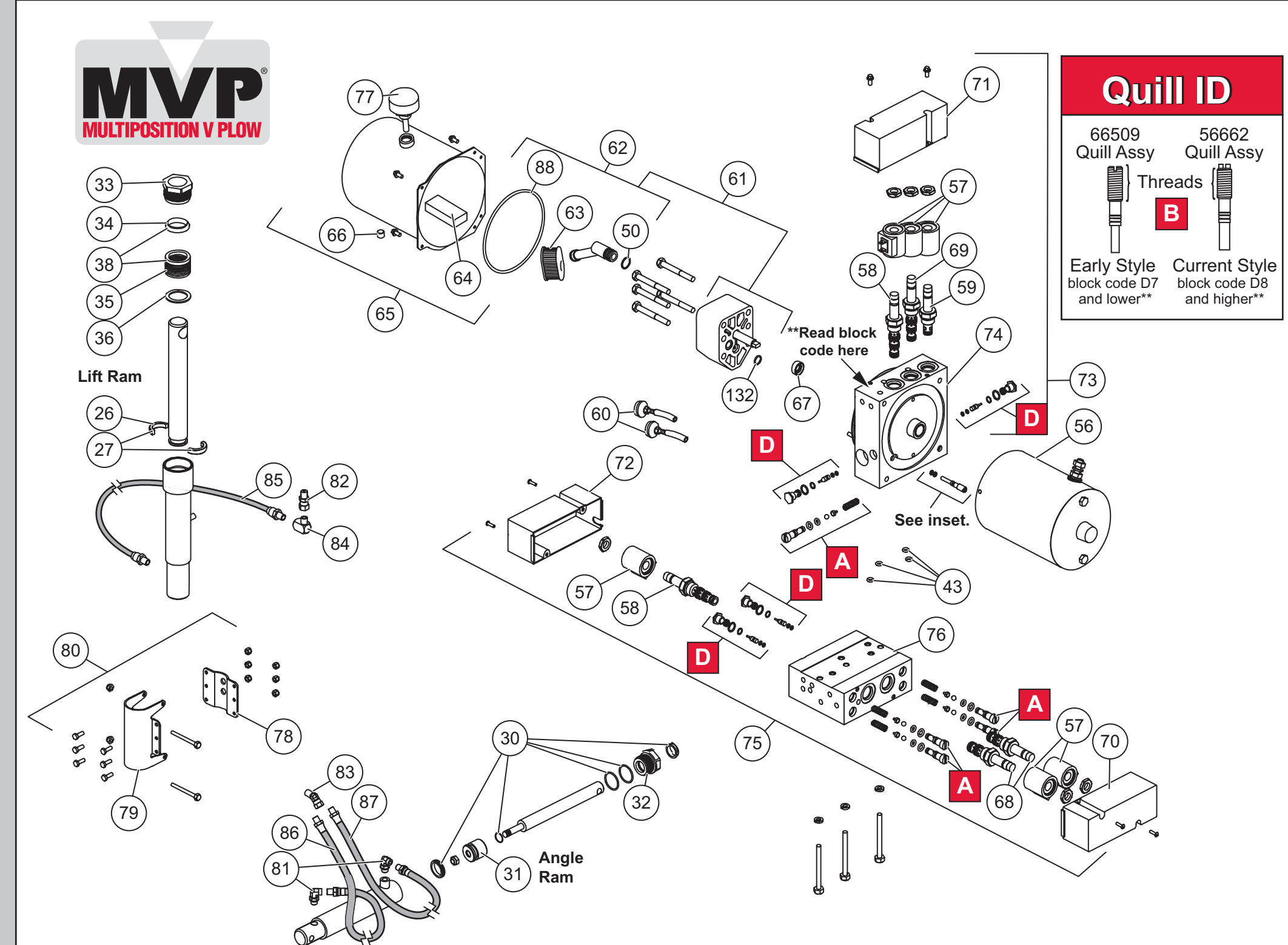
ns = not shown



UniMount SYSTEM Hydraulic Service Parts

INTERACTIVE PARTS POSTER AVAILABLE AT WWW.WESTERNPLOWS.COM

MVP® HYDRAULIC UNIT



Item	Part	Description	Item	Part	Description
56	21500-1	Motor Assembly, 4-1/2	72	66398	Cover Assembly V-Plow 4-Way
57	49230K-2	Coil w/Spade Terminals	73	66774	Primary Manifold w/Cartridges, Coils & Covers
58	49229K-1	Cartridge 40 w/Jam Nut	74	66776	Primary Manifold w/o Cartridges, Coils & Covers
59	49227K-2	Cartridge 20 w/Jam Nut	75	66786	Secondary Manifold w/Cartridges, Coils & Covers
60	66405	Return Screen Assembly	76	66772-1	Secondary Manifold w/o Cartridges, Coils & Covers
61	21501-1	Hydraulic Pump Kit	77	66525	Reservoir Filter Breather Plug
62	66763-1	Inlet Fitting/Filter Kit	78	56504	Cylinder Mounting Bracket
63	56789-5	Suction Filter	79	67387	Cylinder Mounting Bracket
64	73897	Magnet	80	66778	Mounting Bracket Kit
65	66631	Reservoir Kit MVP	81	56539K	Elbow, 90° - 6 M ORB/1/4 F NPTF
66	92095	Plug, Hex Socket 1/4 NPTF w/Thread Sealant	82	66562K	Straight Union Adapter Kit
67	66515	Pump Shaft Seal	83	92190K	Union, F Adapter 45° 1/4 M NPTF/1/4 F NPSM
68	49228K-1	Cartridge 30 w/Jam Nut	84	92210K	Elbow, 90° 1/4 M NPTF/1/4 F NPTF
69	66783W	Cartridge 43 w/Jam Nut	85	56224K	Hose, 1/4 x 18 w/NPTF Ends
70	66397	Cover Assembly V-Plow 3-3	86	4424K	Hose, 1/4 x 36 w/NPTF Ends
71	66396	Cover Assembly V-Plow 4-4-2	87	55020K	Hose, 1/4 x 38 w/NPTF Ends

F = Female M = Male

56657-6 O-RING & BACK-UP RING KIT - SOL

Item	Part	Qty	Description	Item	Part	Qty	Description
40	25618	1	O-Ring -216	89	26784	4	O-Ring -903
41	25730	6	O-Ring -012	90	25622	2	O-Ring -006
42	56274	1	O-Ring -013	91	56315	2	Back-Up Ring -006
43	25731	9	O-Ring -010	92	66627	4	O-Ring -011
44	55371	5	O-Ring -008, 90 Durometer (black)	93	66628	4	Back-Up Ring -008
49	25620	1	O-Ring -115	94	56569	4	O-Ring -906
50	56416	1	O-Ring -014	95	56776	4	O-Ring -008, 70 Durometer (red)
88	66519	1	O-Ring 2-250	ns	66028	1	O-Ring -226

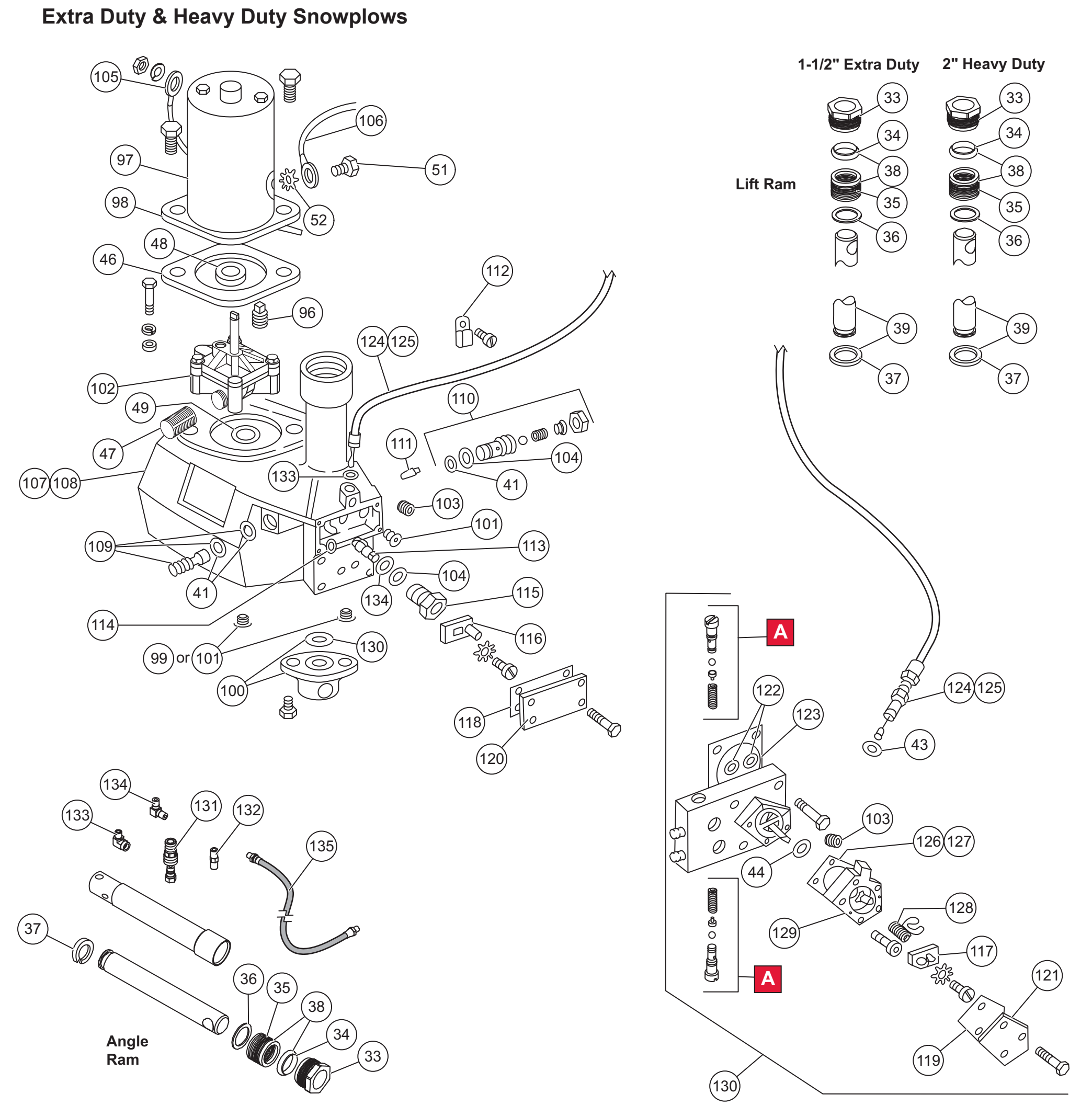
ns = not shown

Copyright © 2020 Douglas Dynamics, LLC. All rights reserved. This material may not be reproduced or copied, in whole or in part, in any printed, mechanical, electronic, film or other distribution and storage media, without the written consent of Western Products. Authorization to photocopy items for internal or personal use by Western Products outlets or snowplow owner is granted.

Western Products reserves the right under its product improvement policy to change construction or design details and furnish equipment when so altered without reference to illustrations or specifications used. Western Products or the vehicle manufacturer may require or recommend optional equipment for snow removal. Do not exceed vehicle ratings with a snowplow. Western Products offers a limited warranty for all snowplows and accessories. See separately printed page for this important information. The following are registered (®) or unregistered (™) trademarks of Douglas Dynamics, LLC: ISARMATIC®, MVP®, PRO-PLOW®, UniMount®, WESTERN®.

Lit. No. 64627, Rev. 07 Printed in U.S.A. December 15, 2020 www.westernplows.com

CABLE CONVENTIONAL HYDRAULIC UNIT



Item	Part	Description	Item	Part	Description
96	92079	Plug, Square 3/8 NPTF	116	55573	Valve Lever Assembly
97	-	Motor Assembly, 4-1/2	117	55364	Valve Lever Assembly 4W
98	49084	Motor Flange Bearing & Seal	118	55350	Cover Gasket 3W
99	92072	Plug, Hex Socket 1/4 NPTF w/Fluid Level Plug	119	55357	Cover Gasket 4W
100	25968K	Base Lug w/#25618 O-Ring	120	55958	Enclosure Cover 3W
101	92071	Plug, Hex Socket 1/8 NPTF w/Thread Sealant	121	55959	Enclosure Cover 4W
102	49211	Hydraulic Pump Kit	122	55252	O-Ring -015
103	90600K	Cable Retainer Screws	123	55374	Manifold Gasket 4W
104	55587	O-Ring -112	124	56130	Cable Assembly, 9' - Black Adjust
105	25635K	Battery Cable, 60" - Red	125	56180	Cable Assembly, 12' - Black Adjust
106	55984	Ground Cable, 60" - Black	126	55951	Shim Spacer, 0.0005 - Silver
107	55946	Service Housing Kit, 1-1/2	127	55735	Shim Spacer, 0.00035 - Clear
108	55945	Service Housing Kit, 2"	128	55359	Torsion Spring
109	49064K	Lift Valve w/two #25730 O-Rings	129	55342	Cable and Linkage Enclosure
110	55568K	Check Valve Assembly	130	49020	Valve Kit 4W
111	55570	Shuttle	131	25323K	Quick Coupler
112	55381	Cable Clamp	132	25519K	Hex Nipple, 1/4
113	55571	Cam Shaft	133	92210K	Elbow, 90° 1/4 M NPTF/1/4 F NPTF
114	55591	Expansion Plug, 1/4	134	92278K	Elbow, 90° 1/4 M SPL
115	55572	Hub Nut	135	55020K	Hose, 1/4 x 38 w/NPTF Ends

F = Female M = Male

COMMON VALVE & QUILL ASSEMBLIES

Assembly A	Assembly B	Assembly C	Assembly D		
49138K-5 Relief Valve Kit (2 sets)	66509 or 56662 Quill Assembly	49226K Poppet Check Valve Kit	66785 Pilot Check Valve Kit		
Item	Part	Description	Item	Part	Description
41	25730	O-Ring -012	91	56315	Back-Up Ring -006
43	25731	O-Ring -010	92	66627	O-Ring -011
44	55371	O-Ring -008, 90 Durometer (black)	93	66628	Back-Up Ring -008
45	92960	3/8-24 Hex Socket Boss Plug -3 M ORB	94	56569	O-Ring -906
89	26784	O-Ring -903	95	56776	O-Ring -008, 70 Durometer (red)
90	25622	O-Ring -006			

* Concave side towards O-ring.
† not included in poppet check valve kit
‡ Valves stamped V4 & lower: item 92. Valves stamped V5 & higher: item 41