

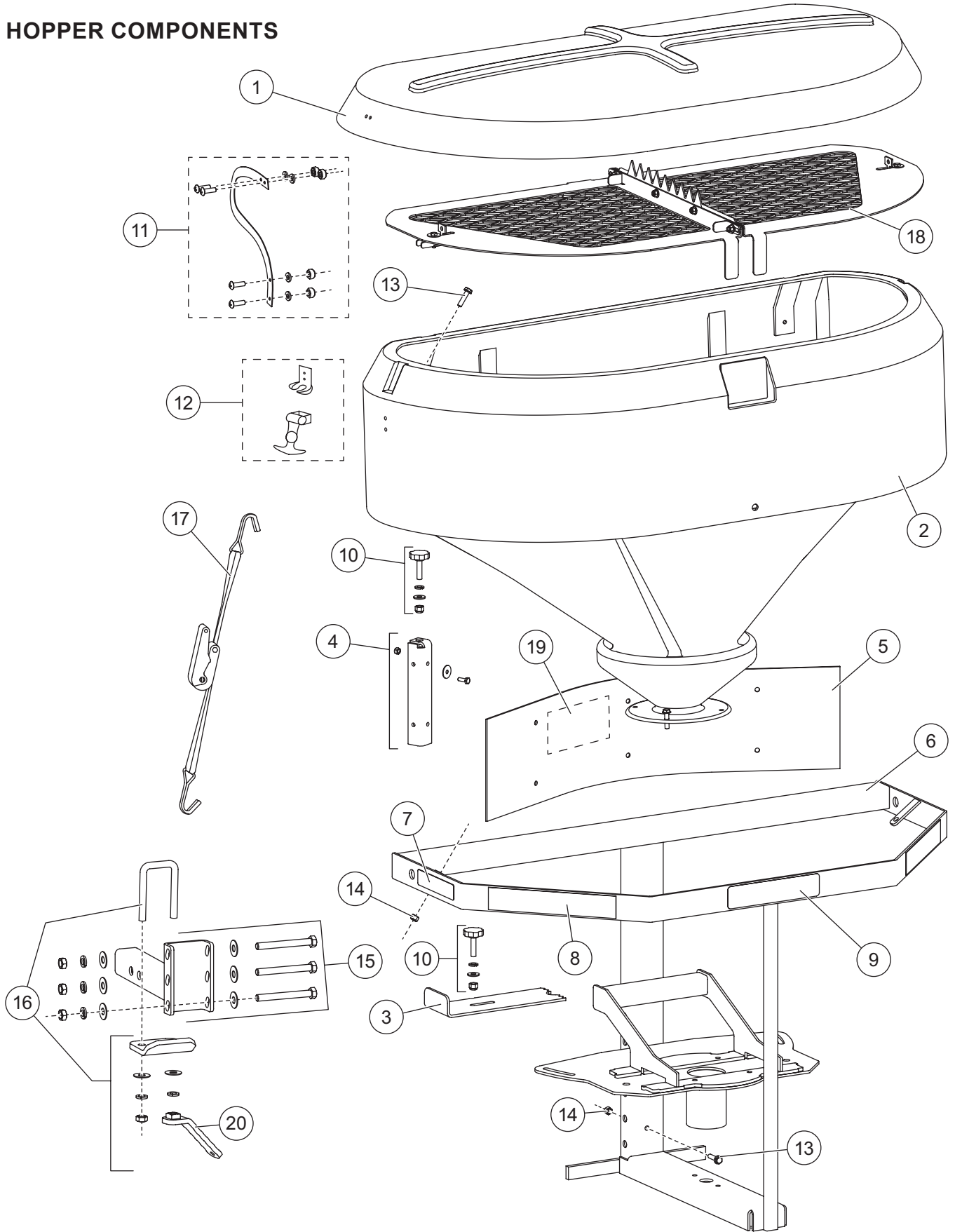


**96051-2**  
**Hopper and Drive Components**  
**Model 2500**  
**Low-Profile Tailgate Spreader**  
**Parts List**

This Parts List is for WESTERN® Model 2500 low-profile tailgate spreaders  
with serial numbers beginning with 110816 and higher.

# MODEL 2500 LOW-PROFILE TAILGATE SPREADER

## HOPPER COMPONENTS

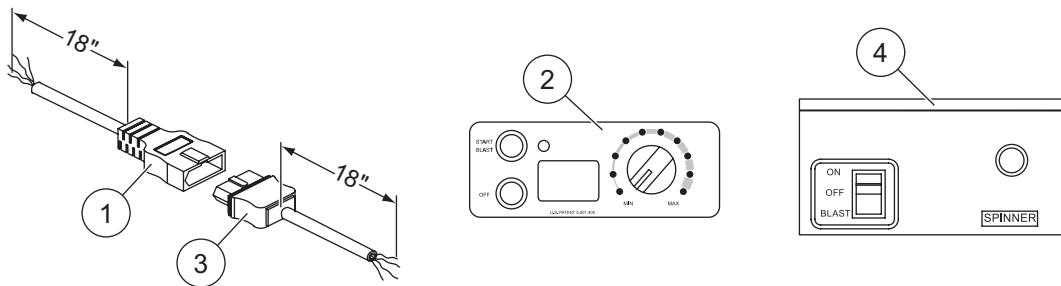


# MODEL 2500 LOW-PROFILE TAILGATE SPREADER

Hopper Components							
Item	Part	Qty	Description	Item	Part	Qty	Description
1	96059	1	Hopper Lid (no hardware)	11	94534	2	Nylon Strap Kit
ns	96142	1	Lid Kit (incl. straps and hardware)	12	P3045	2	Lid Latch Kit
2	96144	1	Hopper Assembly, Red	13	96166	8	5/16-18 x 1-1/4 Flange Hex Cap Screw SS
3	96419	2	Gate	14	91350	8	5/16-18 Hex Locknut GB SS
4	96422	2	Deflector Adjuster Kit	15	95318-1	1	Hitch Insert w/Hardware
5	96421	1	Deflector	16	48852	1	Receiver Clamp Kit
6	96420	1	Spreader Frame	17	68789	2	Ratchet Strap
7	94426	2	Label – Warning, Receiver Hitch	18†	48797	1	Top Screen Bag Splitter Kit
8	31594EN	2	Label – Warning/Caution, Spreaders	19	11100	1	Label – Warning, Rear Camera
9	96140	1	Label – Identity, Model 2500	ns	76068	1	Label – "UP" Tailgate Spreader Hitch
10	48859	4	Control Knob Kit				
<b>Item 4 96422 Deflector Adjuster Kit</b>							
		1	Deflector Bracket			2	1/4-20 x 3/4 Hex Cap Screw SS
		2	1/4 Flat Washer SS			2	1/4-20 Hex Locknut GB SS
<b>Item 15 95318-1 Hitch Insert w/Hardware</b>							
		1	Hitch Insert			3	1/2 Lock Washer Spring SS
		3	1/2-13 x 4-1/2 Hex Cap Screw G5			3	1/2-13 Hex Nut SS
		6	1/2 Flat Washer, Wide SS				
<b>Item 16 48852 Receiver Clamp Kit</b>							
		1	Clamp Plate			2	1/2 Lock Washer Spring SS
		1	1/2-13 U-Bolt SS			1	1/2-13 Hex Nut SS
		2	1/2 Flat Washer, Wide SS	20	96263	1	1/2-13 Nut Handle
ns = not shown		SS = Stainless Steel				G = Grade	

† Accessory only.

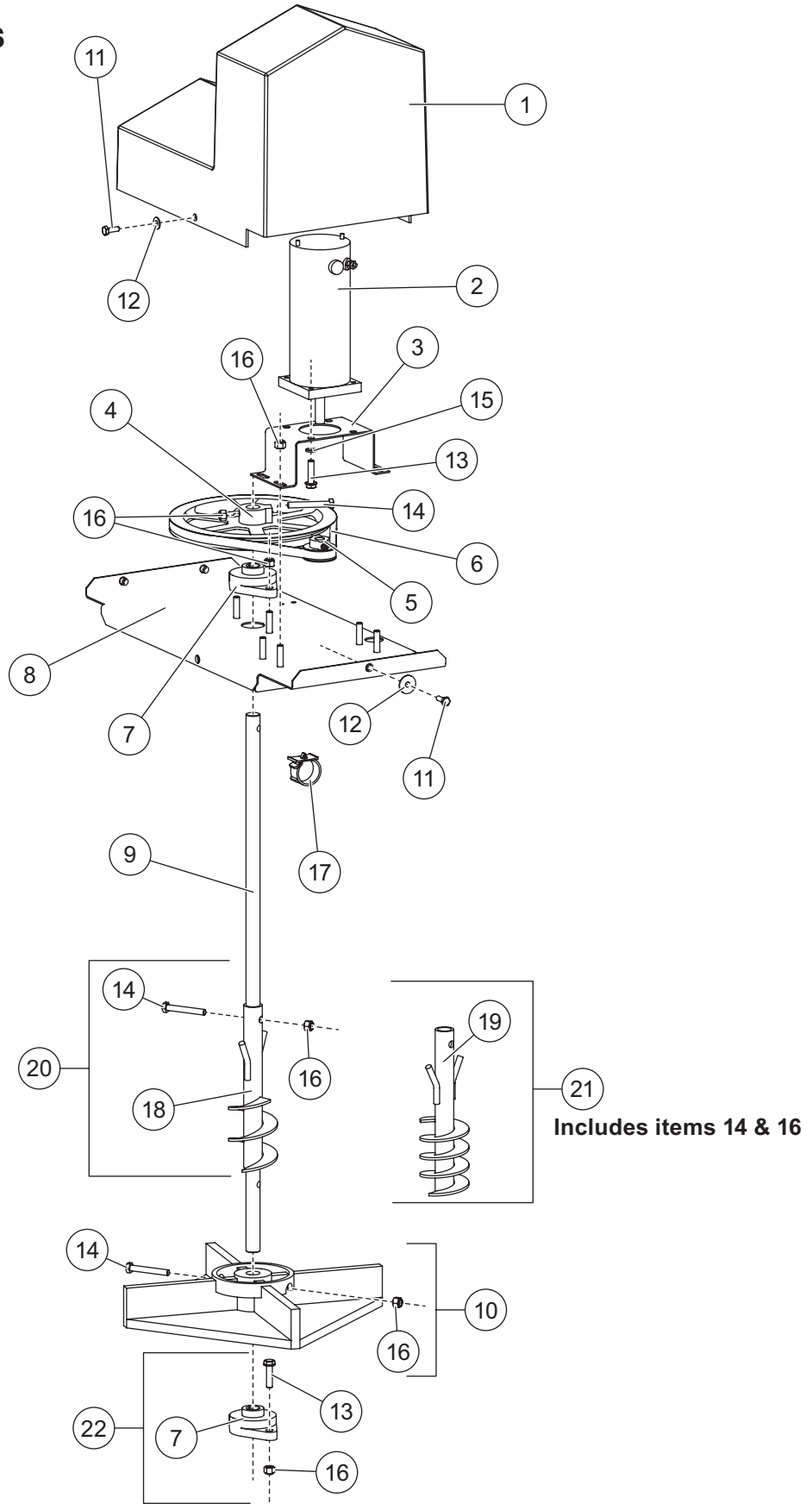
## HOPPER ELECTRICAL COMPONENTS



Hopper Electrical Components							
Item	Part	Qty	Description	Item	Part	Qty	Description
ns	63634	1	Harness, Spreader – 4-pin	ns	63633	1	Harness, Vehicle – 4-pin
1	63693	1	Harness, Spreader End Kit (use w/3- or 4-pin connectors)	3	63692	1	Harness, Vehicle End Kit (use w/3- or 4-pin connectors)
2	28866	1	Variable Speed (PWM) Control	4	67070	1	ON/OFF Control
ns = not shown							

# MODEL 2500 LOW-PROFILE TAILGATE SPREADER

## DRIVE COMPONENTS



## MODEL 2500 LOW-PROFILE TAILGATE SPREADER

Drive Components							
Item	Part	Qty	Description	Item	Part	Qty	Description
1	96099	1	Motor Cover	13	96166	6	5/16-18 x 1-1/4 Flange Hex Cap Screw SS
2	65416	1	12V DC Motor	14	94495	3	5/16-18 x 2-1/4 Hex Cap Screw SS
3	96097	1	Motor Pedestal	15	91276	4	5/16 Spring Lock Washer SS
4	65406	1	Pulley, 9 x 3/4 Bore	16	91350	11	5/16-18 Hex Locknut GB SS
5	65405	1	Pulley, 1-1/2 x 1/2 Bore	17	96216	1	Push Mount Wire Clip
6	65767	1	V-Belt 4L330 Molded Cog	18	96416	1	Auger, 3-Flight (standard – for coarse material)
7	96167	2	3/4 2-Bolt Flange Bearing	19	96417	1	Auger, 5-Flight (optional – for fine material)
8	96169-1	1	Motor Base Plate Service	20	96488	1	Auger, 3-Flight Kit
9	96418	1	Spinner Shaft	21	96489	1	Auger, 5-Flight Kit
10	94595	1	Spinner, Poly – Service Kit	22	96490	1	Bearing Kit
11	90381	5	1/4-20 x 3/4 Hex Cap Screw SS				
12	91013	5	1/4 Flat Washer Narrow SS				
<b>Item 10</b>				<b>94595 Spinner, Poly – Service Kit</b>			
		1	Spinner, Poly	16		1	5/16-18 Hex Locknut GB SS
14		1	5/16-18 x 2-1/4 Hex Cap Screw SS				
<b>Item 20</b>				<b>96488 Auger, 3-Flight Kit</b>			
14		1	5/16-18 x 2-1/4 Hex Cap Screw SS	18		1	Auger, 3-Flight (standard – for coarse material)
16		1	5/16-18 Hex Locknut GB SS				
<b>Item 21</b>				<b>96489 Auger, 5-Flight Kit</b>			
14		1	5/16-18 x 2-1/4 Hex Cap Screw SS	19		1	Auger, 5-Flight (optional – for fine material)
16		1	5/16-18 Hex Locknut GB SS				
<b>Item 22</b>				<b>96490 Bearing Kit</b>			
7		1	3/4 2-Bolt Flange Bearing	16		2	5/16-18 Hex Locknut GB SS
13		2	5/16-18 x 1-1/4 Flange Hex Cap Screw SS				
SS = Stainless Steel				G = Grade			

# MODEL 2500 LOW-PROFILE TAILGATE SPREADER

---



Western Products  
PO Box 245038  
Milwaukee, WI 53224-9538  
[www.westernplows.com](http://www.westernplows.com)

 A DIVISION OF DOUGLAS DYNAMICS, LLC

Copyright © 2023 Douglas Dynamics, LLC. All rights reserved. This material may not be reproduced or copied, in whole or in part, in any printed, mechanical, electronic, film, or other distribution and storage media, without the written consent of Western Products. Authorization to photocopy items for internal or personal use by Western Products outlets or spreader owner is granted.

Western Products reserves the right under its product improvement policy to change construction or design details and furnish equipment when so altered without reference to illustrations or specifications used. Western Products or the vehicle manufacturer may require or recommend optional equipment for spreaders. Do not exceed vehicle ratings with a spreader. Western Products offers a limited warranty for all spreaders and accessories. See separately printed page for this important information. The following is a registered (®) trademark of Douglas Dynamics, LLC: WESTERN®.

**Printed in U.S.A.**